

novalux®
LIGHTING

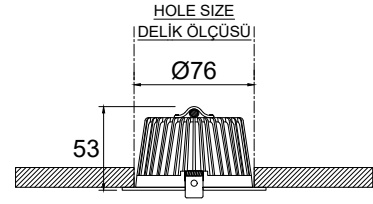
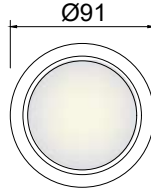
novalux®
LIGHTING

Novatron®

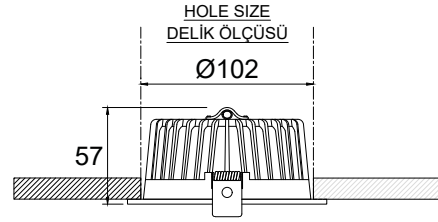
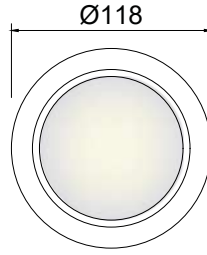


Follow people who can make you smile,
because a smile can brighten up a dark day.

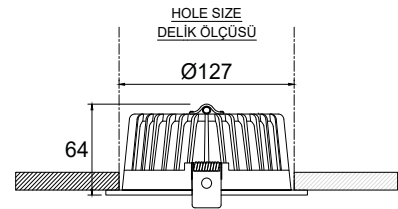
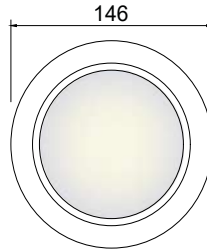
Sizi gülümsetebilen insanların peşine takılın,
çünkü bir gülümseme karanlık bir günü aydınlatabilir.



Code	Lumen lm	Kelvin K	Watt W	CRI	IP	V/Hz	Size(mm) Dış çap	Hole size (mm) Delik ölçüsü	Installation depth Montaj derinliği
DW.ID.3.30	700	3000	5	Ra>80	20-44	220-240 50/60	Ø 91mm	Ø 76mm	Min. 75mm
DW.ID.3.40	763	4000	5	Ra>80	20-44				



Code	Lumen lm	Kelvin K	Watt W	CRI	IP	V/Hz	Size(mm) Dış çap	Hole size (mm) Delik ölçüsü	Installation depth Montaj derinliği
DW.ID.4.30	1000	3000	8.75	Ra>80	20-44	220-240 50/60	Ø 118mm	Ø 102mm	Min. 80mm
DW.ID.4.40	1090	4000	8.75	Ra>80	20-44				

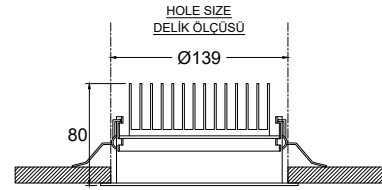
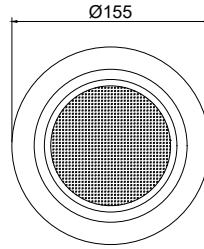


Code	Lumen lm	Kelvin K	Watt W	CRI	IP	V/Hz	Size(mm) Dış çap	Hole size (mm) Delik ölçüsü	Installation depth Montaj derinliği
DW.ID.5.30	2000	3000	16	Ra>80	20-44	220-240 50/60	Ø 146mm	Ø 127mm	Min. 85mm
DW.ID.5.40	2150	4000	16	Ra>80	20-44				

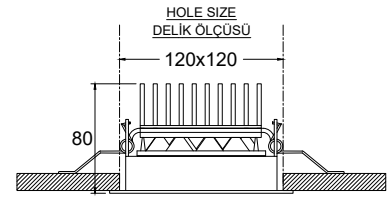
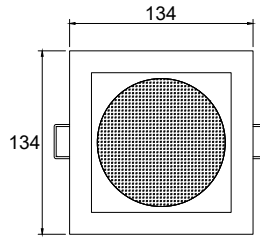


Sıva Altı Spot

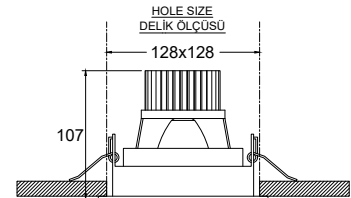
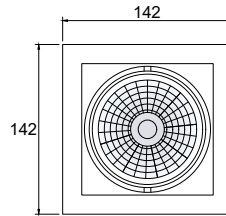
Recessed Spotlights



Code	Lumen lm	Kelvin K	Watt W	CRI	IP	V/Hz	Size(mm) Dış çap	Hole size (mm) Delik ölçüsü	Installation depth Montaj derinliği
SP.SA.155.30	2331	3000	20	Ra>80	20	220-240 50/60	Ø 155mm	Ø 139mm	Min. 100mm
SP.SA.155.40	2736	4000	20	Ra>80	20				



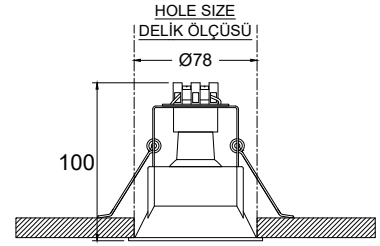
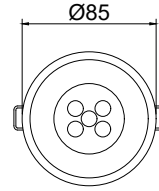
Code	Lumen lm	Kelvin K	Watt W	CRI	IP	V/Hz	Size(mm) Dış çap	Hole size (mm) Delik ölçüsü	Installation depth Montaj derinliği
SP.SA.134.134.30	2331	3000	20	Ra>80	20	220-240 50/60	134x134mm	120x120mm	Min. 100mm
SP.SA.134.134.40	2736	4000	20	Ra>80	20				



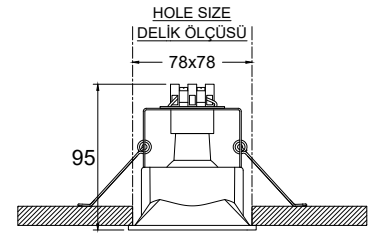
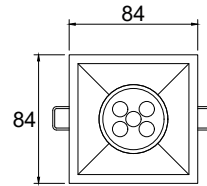
Code	Lumen lm	Kelvin K	Watt W	Beam angle β	CRI	IP	V/Hz	Size(mm) Dış çap	Hole size (mm) Delik ölçüsü	Installation depth Montaj derinliği
SP.SA.142.142.30	2240	3000	17	24°/36°/45°	Ra>80	20	220-240 50/60	142x142mm	128x128mm	Min. 130mm
SP.SA.142.142.40	2310	4000	17	24°/36°/45°	Ra>80	20				

Sıva Altı Spot

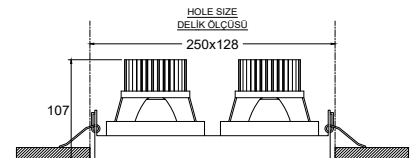
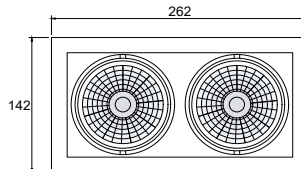
Recessed Spotlights



Code	Lumen lm	Kelvin K	Watt W	Beam angle β	CRI	IP	V/Hz	Size(mm) Dış çap	Hole size (mm) Delik ölçüsü	Installation depth Montaj derinliği
SP.SA.85.27	350	2700	5	36°	Ra>80	20	220-240 50/60	Ø 85mm	Ø 78mm	Min. 110mm
SP.SA.85.30	350	3000	5	36°	Ra>80	20				



Code	Lumen lm	Kelvin K	Watt W	Beam angle β	CRI	IP	V/Hz	Size(mm) Dış çap	Hole size (mm) Delik ölçüsü	Installation depth Montaj derinliği
SP.SA.84.84.27	350	2700	5	36°	Ra>80	20	220-240 50/60	84x84mm	78x78mm	Min. 110mm
SP.SA.84.84.30	350	3000	5	36°	Ra>80	20				



Code	Lumen lm	Kelvin K	Watt W	Beam angle β	CRI	IP	V/Hz	Size(mm) Dış çap	Hole size (mm) Delik ölçüsü	Installation depth Montaj derinliği
SP.SA.142.262.30	2x2240	3000	2x17	24°/36°/45°	Ra>85	20	220-240 50/60	142X262mm	128x250mm	Min. 130mm
SP.SA.142.262.40	2x2310	4000	2x17	24°/36°/45°	Ra>85	20				



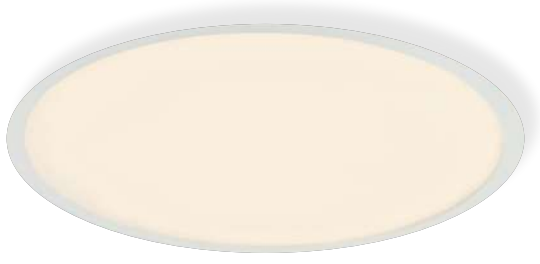
The logo for NİDAPARK KAYAŞEHİR is mounted on a dark, vertically-grained wall. It features a stylized skyline of buildings above the text. The buildings are represented by vertical bars of varying heights, each composed of horizontal slats. Below the skyline, the word "NİDAPARK" is written in a large, bold, sans-serif font. Underneath "NİDAPARK", the words "KAYAŞEHİR" are written in a smaller, similar font, followed by a horizontal line.

NİDAPARK
— KAYAŞEHİR —

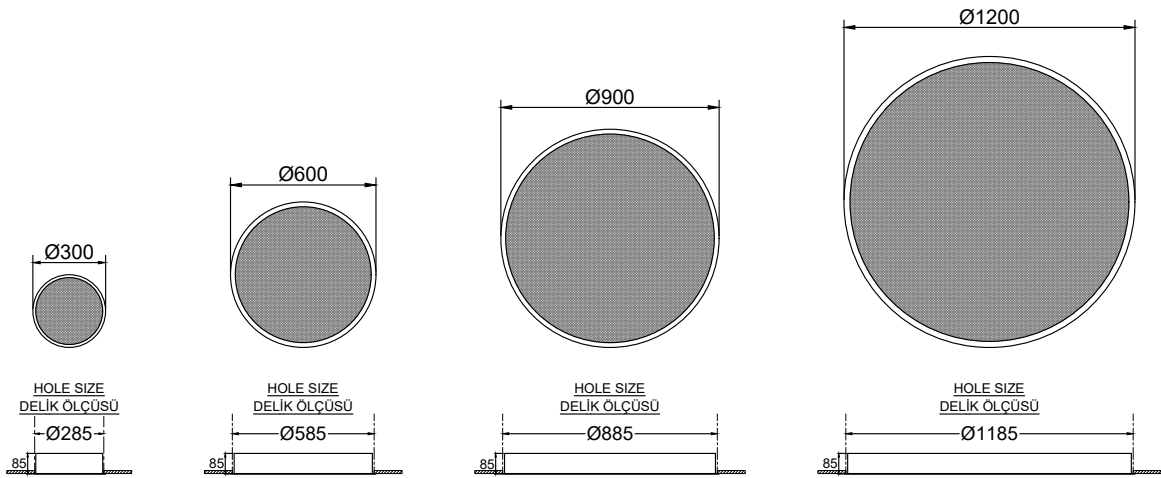


Sıva Altı Armatürler

Recessed Luminaires



Code	Lumen lm	Kelvin K	Watt W	CRI	IP	V/Hz	Size(mm) Dış çap	Hole size (mm) Delik ölçüsü	Installation depth Montaj derinliği
SA.300.30	1660	3000	14	Ra>80	20	220-240 50/60	Ø 300mm	Ø 285mm	Min. 110mm
SA.300.40	1780	4000	14	Ra>80	20				
SA.600.30	3070	3000	24	Ra>80	20	220-240 50/60	Ø 600mm	Ø 585mm	Min. 110mm
SA.600.40	3190	4000	24	Ra>80	20				
SA.900.30	4480	3000	34	Ra>80	20	220-240 50/60	Ø 900mm	Ø 885mm	Min. 110mm
SA.900.40	4600	4000	34	Ra>80	20				
SA.1200.30	5890	3000	44	Ra>80	20	220-240 50/60	Ø 1200mm	Ø 1185mm	Min. 110mm
SA.1200.40	6010	4000	44	Ra>80	20				

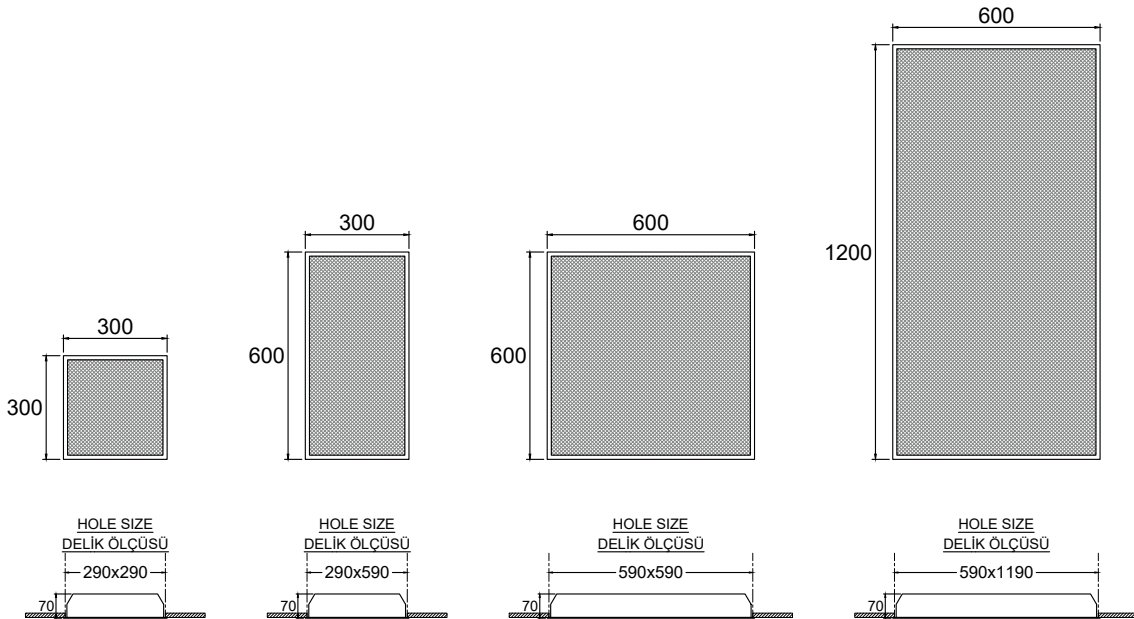


Sıva Altı Armatürler

Recessed Luminaires

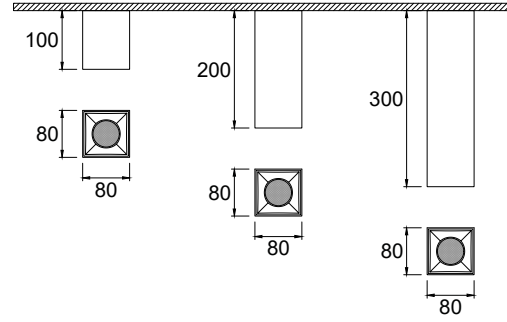


Code	Lumen lm	Kelvin K	Watt W	CRI	IP	V/Hz	Size(mm) Dış çap	Hole size (mm) Delik ölçüsü	Installation depth Montaj derinliği
SA.SD.300.300.30	1660	3000	16	Ra>80	20	220-240 50/60	300x300mm	290x290mm	Min. 100mm
SA.SD.300.300.40	1780	4000	16	Ra>80	20				
SA.SD.300.600.30	3320	3000	26	Ra>80	20	220-240 50/60	300x600mm	290x590mm	Min. 100mm
SA.SD.300.600.40	3320	4000	26	Ra>80	20				
SA.SD.600.600.30	4320	3000	36	Ra>80	20	220-240 50/60	600x600mm	590x590mm	Min. 100mm
SA.SD.600.600.40	4320	4000	36	Ra>80	20				
SA.SD.600.1200.30	5850	3000	64	Ra>80	20	220-240 50/60	600x1200mm	590x1190mm	Min. 100mm
SA.SD.600.1200.40	5850	4000	64	Ra>80	20				

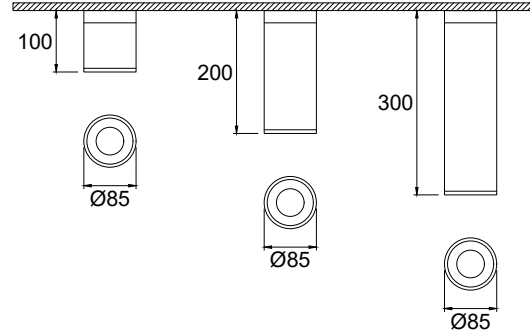


Sıva Üstü Spot

Surface Mounted Spotlights



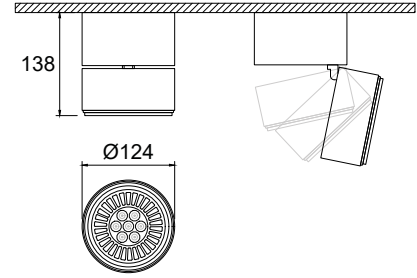
Code	Lumen lm	Kelvin K	Watt W	Beam angle β	CRI	IP	V/Hz	Size(mm)	Height(mm) Yükseklik
SUS.80.80.100.27	350	2700	5	36°	Ra>85	20/65	220-240 50/60	80x80mm	100mm
SUS.80.80.100.30	350	3000	5	36°	Ra>85	20/65			
SUS.80.80.200.27	350	2700	5	36°	Ra>85	20/65	220-240 50/60	80x80mm	200mm
SUS.80.80.200.30	350	3000	5	36°	Ra>85	20/65			
SUS.80.80.300.27	350	2700	5	36°	Ra>85	20/65	220-240 50/60	80x80mm	300mm
SUS.80.80.300.30	350	3000	5	36°	Ra>85	20/65			



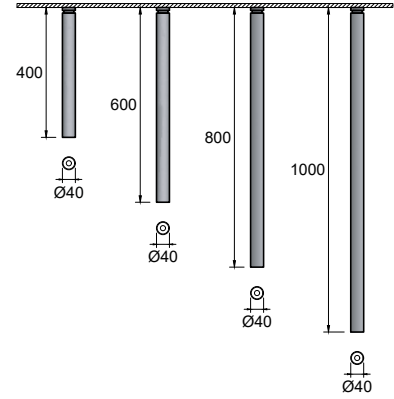
Code	Lumen lm	Kelvin K	Watt W	Beam angle β	CRI	IP	V/Hz	Diameter(mm) Çap	Height(mm) Yükseklik
SUS.85.100.27	350	2700	5	36°	Ra>85	20/65	220-240 50/60	Ø85mm	100mm
SUS.85.100.30	350	3000	5	36°	Ra>85	20/65			
SUS.85.200.27	350	2700	5	36°	Ra>85	20/65	220-240 50/60	Ø85mm	200mm
SUS.85.200.30	350	3000	5	36°	Ra>85	20/65			
SUS.85.300.27	350	2700	5	36°	Ra>85	20/65	220-240 50/60	Ø85mm	300mm
SUS.85.300.30	350	3000	5	36°	Ra>85	20/65			

Sıva Üstü Spot

Surface Mounted Spotlights



Code	Lumen lm	Kelvin K	Watt W	Beam angle β	CRI	IP	V/Hz
SUS.124.100.27	900	2700	12	24°	Ra>90	20	220-240 50/60
SUS.124.100.30	900	3000	12	24°	Ra>90	20	



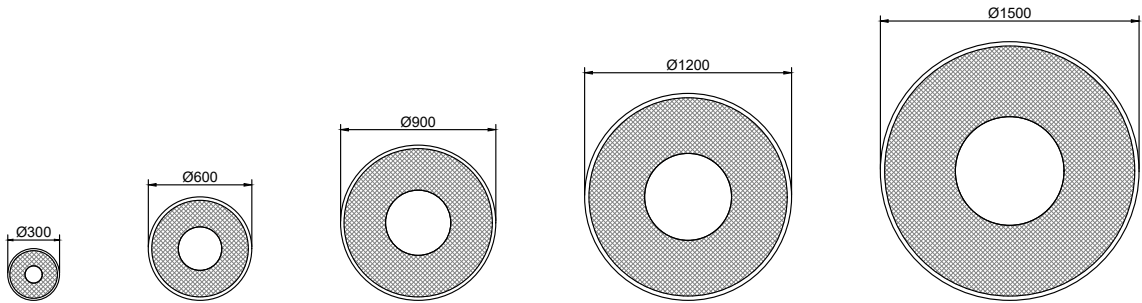
Code	Lumen lm	Kelvin K	Watt W	CRI	IP	V/Hz	Diameter(mm) Çap	Height(mm) Yükseklik
SUS.40.400.30	144	3000	1.2	Ra>80	20	220-240 50/60	Ø40mm	400mm
SUS.40.400.40	162	4000	1.2	Ra>80	20			
SUS.40.600.30	144	3000	1.2	Ra>80	20	220-240 50/60	Ø40mm	600mm
SUS.40.600.40	162	4000	1.2	Ra>80	20			
SUS.40.800.30	144	3000	1.2	Ra>80	20	220-240 50/60	Ø40mm	800mm
SUS.40.800.40	162	4000	1.2	Ra>80	20			
SUS.40.1000.30	144	3000	1.2	Ra>80	20	220-240 50/60	Ø40mm	1000mm
SUS.40.1000.40	162	4000	1.2	Ra>80	20			

Sıva Üstü Armatürler

Surface Mounted Luminaires



Code	Lumen lm	Kelvin K	Watt W	CRI	IP	V/Hz	Diameter (mm) Çap
SU.P.300.30	1360	3000	10	Ra>80	20	220-240 50/60	Ø300mm
SU.P.300.40	1480	4000	10	Ra>80	20		
SU.P.600.30	2720	3000	20	Ra>80	20	220-240 50/60	Ø600mm
SU.P.600.40	2840	4000	20	Ra>80	20		
SU.P.900.30	4080	3000	30	Ra>80	20	220-240 50/60	Ø900mm
SU.P.900.40	4200	4000	30	Ra>80	20		
SU.P.1200.30	5440	3000	40	Ra>80	20	220-240 50/60	Ø1200mm
SU.P.1200.40	5560	4000	40	Ra>80	20		
SU.P.1500.30	6800	3000	50	Ra>80	20	220-240 50/60	Ø1500mm
SU.P.1500.40	6920	4000	50	Ra>80	20		

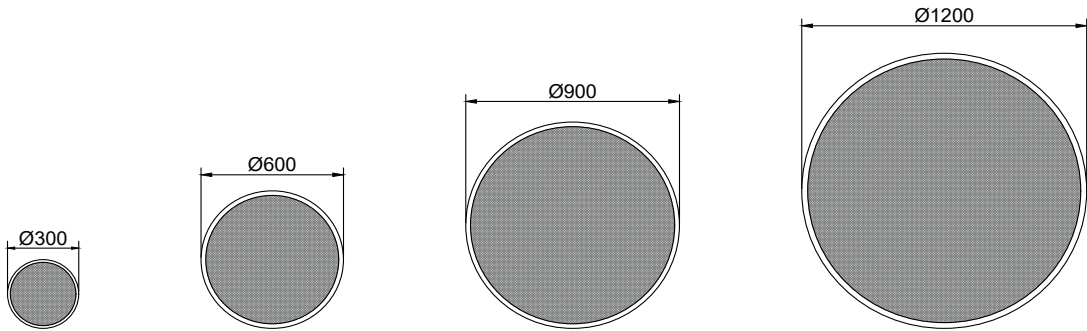


Sıva Üstü Armatürler

Surface Mounted Luminaires



Code	Lumen lm	Kelvin K	Watt W	CRI	IP	V/Hz	Diameter (mm) Çap
SU.300.30	1660	3000	14	Ra>80	20	220-240 50/60	Ø300mm
SU.300.40	1780	4000	14	Ra>80	20		
SU.600.30	3070	3000	24	Ra>80	20	220-240 50/60	Ø600mm
SU.600.40	3190	4000	24	Ra>80	20		
SU.900.30	4480	3000	34	Ra>80	20	220-240 50/60	Ø900mm
SU.900.40	4600	4000	34	Ra>80	20		
SU.1200.30	5890	3000	44	Ra>80	20	220-240 50/60	Ø1200mm
SU.1200.40	6010	4000	44	Ra>80	20		



Sıva Üstü Armatürler

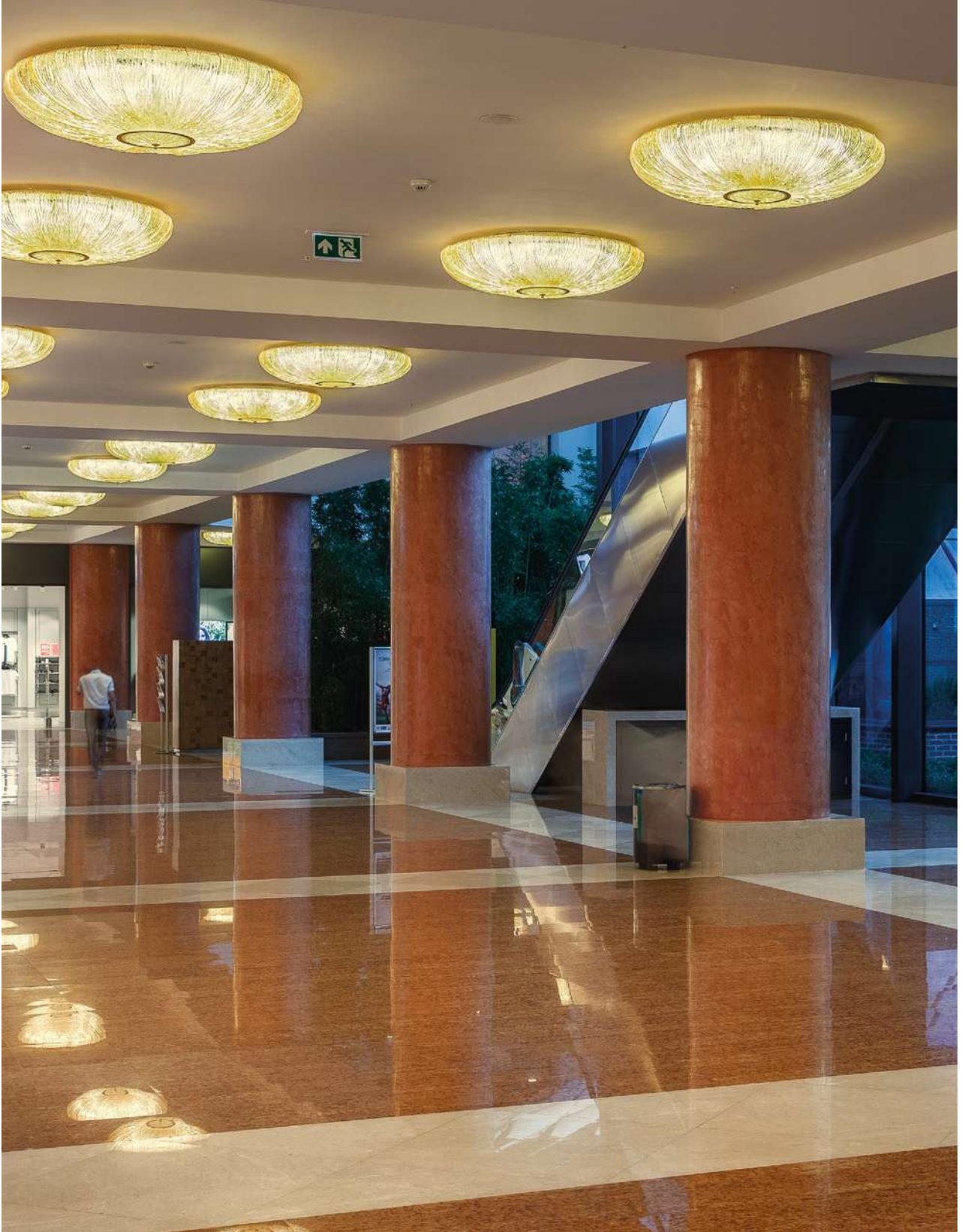
Surface Mounted Luminaires



Sıva Üstü Armatürler
Surface Mounted Luminaires



Özel Üretim Sıva Üstü Armatürler
Special Production Surface Mounted Luminaire

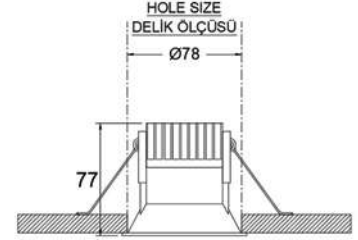
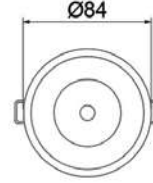


Özel Üretim Sıva Üstü Armatürler

Special Production Surface Mounted Luminaire

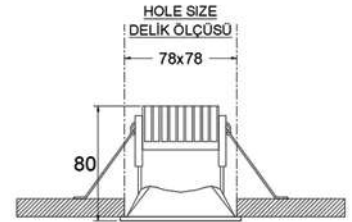
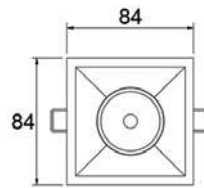


CORVUS D1



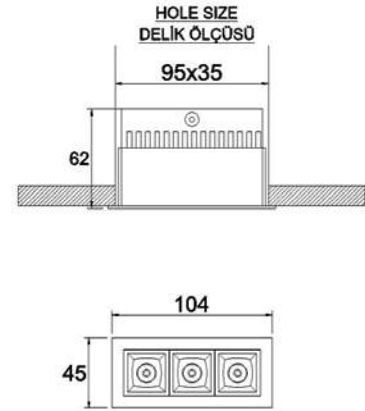
Code	Lumen (lm)	Kelvin (K)	Watt (W)	Beam angle (β)	CRI	IP	Control	Size (mm)
RS1257	1321	2700	10	10°/24°/36°/45°/60°	Ra>85	20/44	On - Off	Ø84
RS1258	1321	3000	10	10°/24°/36°/45°/60°	Ra>85	20/44	On - Off	Ø84
RS1259	1453	4000	10	10°/24°/36°/45°/60°	Ra>85	20/44	On - Off	Ø84
RS1260	1321	2700	10	10°/24°/36°/45°/60°	Ra>85	20/44	Dali	Ø84
RS1261	1321	3000	10	10°/24°/36°/45°/60°	Ra>85	20/44	Dali	Ø84
RS1262	1453	4000	10	10°/24°/36°/45°/60°	Ra>85	20/44	Dali	Ø84

CORVUS S1



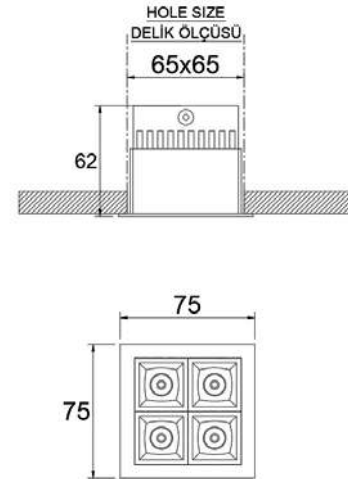
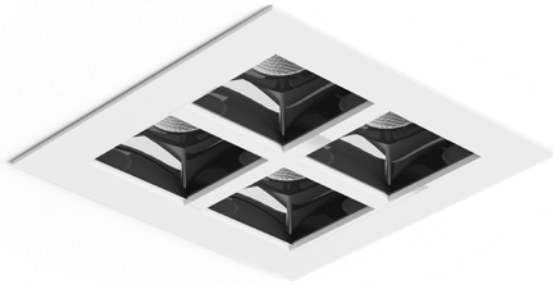
Code	Lumen (lm)	Kelvin (K)	Watt (W)	Beam angle (β)	CRI	IP	Control	Size (mm)
RS1317	1321	2700	10	10°/24°/36°/45°/60°	Ra>85	20/44	On - Off	84x84
RS1318	1321	3000	10	10°/24°/36°/45°/60°	Ra>85	20/44	On - Off	84x84
RS1319	1453	4000	10	10°/24°/36°/45°/60°	Ra>85	20/44	On - Off	84x84
RS1320	1321	2700	10	10°/24°/36°/45°/60°	Ra>85	20/44	Dali	84x84
RS1321	1321	3000	10	10°/24°/36°/45°/60°	Ra>85	20/44	Dali	84x84
RS1322	1453	4000	10	10°/24°/36°/45°/60°	Ra>85	20/44	Dali	84x84

HYDRA 1



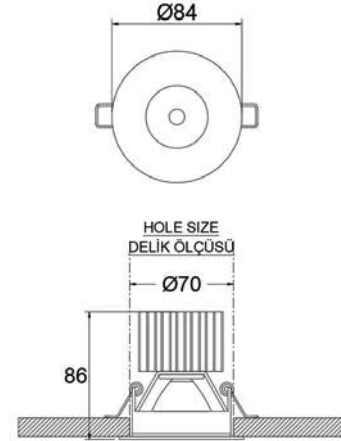
Code	Lumen (lm)	Kelvin (K)	Watt (W)	Beam angle (β)	CRI	IP	Control	Size (mm)
RS1157	3x315	2700	3x2,5	10°/24°/36°/45°/60°	Ra>85	20	On - Off	45x104
RS1158	3x315	3000	3x2,5	10°/24°/36°/45°/60°	Ra>85	20	On - Off	45x104
RS1159	3x335	4000	3x2,5	10°/24°/36°/45°/60°	Ra>85	20	On - Off	45x104
RS1160	3x315	2700	3x2,5	10°/24°/36°/45°/60°	Ra>85	20	Dali	45x104
RS1161	3x315	3000	3x2,5	10°/24°/36°/45°/60°	Ra>85	20	Dali	45x104
RS1162	3x335	4000	3x2,5	10°/24°/36°/45°/60°	Ra>85	20	Dali	45x104

HYDRA 2



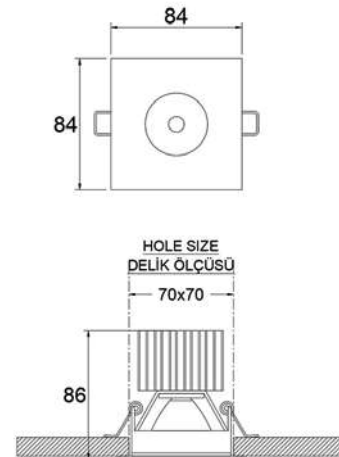
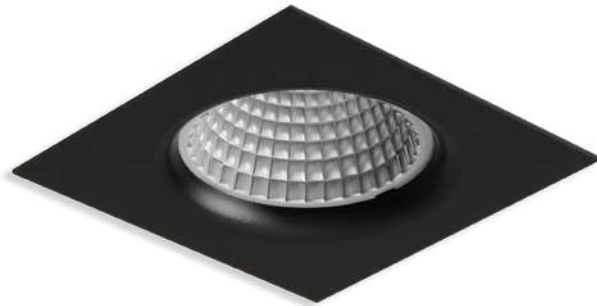
Code	Lumen (lm)	Kelvin (K)	Watt (W)	Beam angle (β)	CRI	IP	Control	Size (mm)
RS1737	4x315	2700	4x2,5	10°/24°/36°/45°/60°	Ra>85	20	On - Off	75x75
RS1738	4x315	3000	4x2,5	10°/24°/36°/45°/60°	Ra>85	20	On - Off	75x75
RS1739	4x335	4000	4x2,5	10°/24°/36°/45°/60°	Ra>85	20	On - Off	75x75
RS1740	4x315	2700	4x2,5	10°/24°/36°/45°/60°	Ra>85	20	Dali	75x75
RS1741	4x315	3000	4x2,5	10°/24°/36°/45°/60°	Ra>85	20	Dali	75x75
RS1742	4x335	4000	4x2,5	10°/24°/36°/45°/60°	Ra>85	20	Dali	75x75

BOOTES D1



Code	Lumen (lm)	Kelvin (K)	Watt (W)	Beam angle (β)	CRI	IP	Control	Size (mm)
RS1097	1321	2700	10	10°/24°/36°/45°/60°	Ra>85	20/44	On - Off	Ø84
RS1098	1321	3000	10	10°/24°/36°/45°/60°	Ra>85	20/44	On - Off	Ø84
RS1099	1453	4000	10	10°/24°/36°/45°/60°	Ra>85	20/44	On - Off	Ø84
RS1100	1321	2700	10	10°/24°/36°/45°/60°	Ra>85	20/44	Dali	Ø84
RS1101	1321	3000	10	10°/24°/36°/45°/60°	Ra>85	20/44	Dali	Ø84
RS1102	1453	4000	10	10°/24°/36°/45°/60°	Ra>85	20/44	Dali	Ø84

BOOTES S1

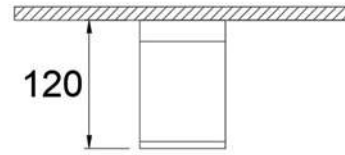


Code	Lumen (lm)	Kelvin (K)	Watt (W)	Beam angle (β)	CRI	IP	Control	Size (mm)
RS1117	1321	2700	10	10°/24°/36°/45°/60°	Ra>85	20/44	On - Off	84x84
RS1118	1321	3000	10	10°/24°/36°/45°/60°	Ra>85	20/44	On - Off	84x84
RS1119	1453	4000	10	10°/24°/36°/45°/60°	Ra>85	20/44	On - Off	84x84
RS1120	1321	2700	10	10°/24°/36°/45°/60°	Ra>85	20/44	Dali	84x84
RS1121	1321	3000	10	10°/24°/36°/45°/60°	Ra>85	20/44	Dali	84x84
RS1122	1453	4000	10	10°/24°/36°/45°/60°	Ra>85	20/44	Dali	84x84



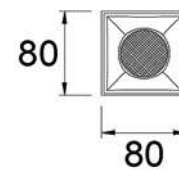
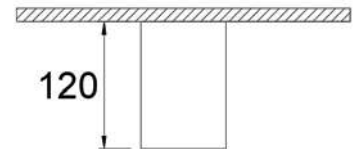


CARINA D1



Code	Lumen (lm)	Kelvin (K)	Watt (W)	Beam angle (β)	CRI	IP	Control	Size (mm)
SS1057	1321	2700	10	10°/24°/36°/45°/60°	Ra>85	20/44	On - Off	Ø80x120
SS1058	1321	3000	10	10°/24°/36°/45°/60°	Ra>85	20/44	On - Off	Ø80x120
SS1059	1453	4000	10	10°/24°/36°/45°/60°	Ra>85	20/44	On - Off	Ø80x120
SS1060	1321	2700	10	10°/24°/36°/45°/60°	Ra>85	20/44	Dali	Ø80x120
SS1061	1321	3000	10	10°/24°/36°/45°/60°	Ra>85	20/44	Dali	Ø80x120
SS1062	1453	4000	10	10°/24°/36°/45°/60°	Ra>85	20/44	Dali	Ø80x120

CARINA S1



Code	Lumen (lm)	Kelvin (K)	Watt (W)	Beam angle (β)	CRI	IP	Control	Size (mm)
SS1117	1321	2700	10	10°/24°/36°/45°/60°	Ra>85	20/44	On - Off	80x80x120
SS1118	1321	3000	10	10°/24°/36°/45°/60°	Ra>85	20/44	On - Off	80x80x120
SS1119	1453	4000	10	10°/24°/36°/45°/60°	Ra>85	20/44	On - Off	80x80x120
SS1120	1321	2700	10	10°/24°/36°/45°/60°	Ra>85	20/44	Dali	80x80x120
SS1121	1321	3000	10	10°/24°/36°/45°/60°	Ra>85	20/44	Dali	80x80x120
SS1122	1453	4000	10	10°/24°/36°/45°/60°	Ra>85	20/44	Dali	80x80x120

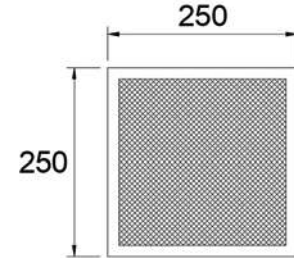
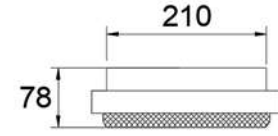
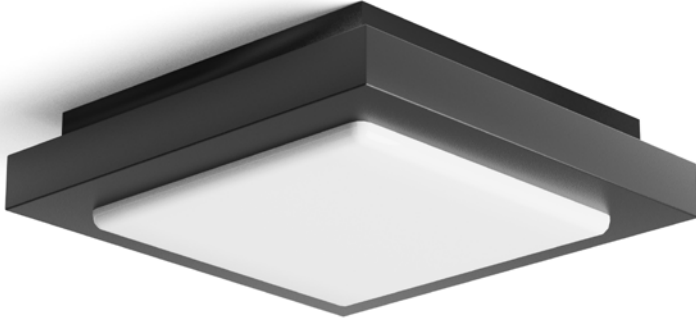


AVRUPA KONUTLARI

KALE

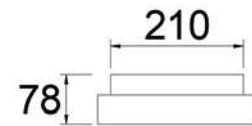
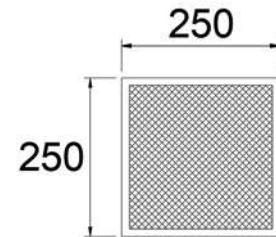


FORNAX 25



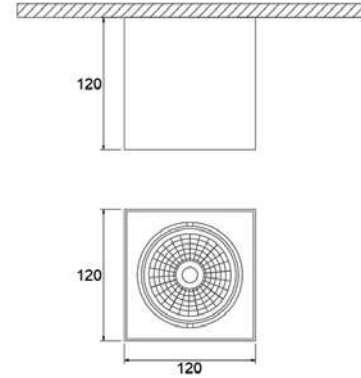
Code	Lumen (lm)	Kelvin (K)	Watt (W)	Beam angle (β)	CRI	IP	Control	Size (mm)
SL1031	1000	2700	10		Ra>85	20/44	On - Off	250x250x78
SL1032	1000	3000	10		Ra>85	20/44	On - Off	250x250x78
SL1033	1050	4000	10		Ra>85	20/44	On - Off	250x250x78
SL1034	1000	2700	10		Ra>85	20/44	Dali	250x250x78
SL1035	1000	3000	10		Ra>85	20/44	Dali	250x250x78
SL1036	1050	4000	10		Ra>85	20/44	Dali	250x250x78

MENSA K22



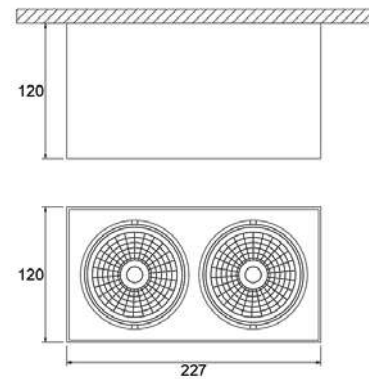
Code	Lumen (lm)	Kelvin (K)	Watt (W)	Beam angle (β)	CRI	IP	Control	Size (mm)
SL1091	1700	2700	17		Ra>85	20/44	On - Off	250x250x78
SL1092	1700	3000	17		Ra>85	20/44	On - Off	250x250x78
SL1093	1870	4000	17		Ra>85	20/44	On - Off	250x250x78
SL1094	1700	2700	17		Ra>85	20/44	Dali	250x250x78
SL1095	1700	3000	17		Ra>85	20/44	Dali	250x250x78
SL1096	1870	4000	17		Ra>85	20/44	Dali	250x250x78

OCTANS SS1



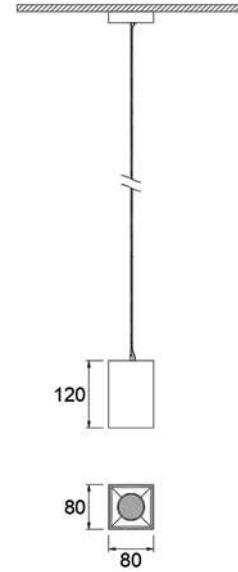
Code	Lumen (lm)	Kelvin (K)	Watt (W)	Beam angle (β)	CRI	IP	Control	Size (mm)
SS1441	2680	2700	19	10°/24°/36°/45°/60°	Ra>85	20/44	On - Off	120x120x120
SS1442	2680	3000	19	10°/24°/36°/45°/60°	Ra>85	20/44	On - Off	120x120x120
SS1443	2950	4000	19	10°/24°/36°/45°/60°	Ra>85	20/44	On - Off	120x120x120
SS1444	2680	2700	19	10°/24°/36°/45°/60°	Ra>85	20/44	Dali	120x120x120
SS1445	2680	3000	19	10°/24°/36°/45°/60°	Ra>85	20/44	Dali	120x120x120
SS1446	2950	4000	19	10°/24°/36°/45°/60°	Ra>85	20/44	Dali	120x120x120

OCTANS SS2



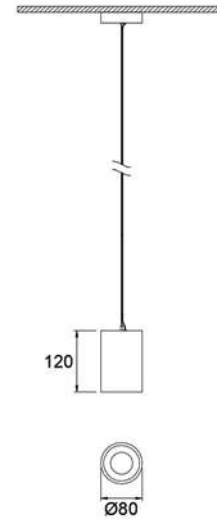
Code	Lumen (lm)	Kelvin (K)	Watt (W)	Beam angle (β)	CRI	IP	Control	Size (mm)
SS1459	2x2680	2700	2x19	10°/24°/36°/45°/60°	Ra>85	20/44	On - Off	120x227x120
SS1460	2x2680	3000	2x19	10°/24°/36°/45°/60°	Ra>85	20/44	On - Off	120x227x120
SS1461	2x2950	4000	2x19	10°/24°/36°/45°/60°	Ra>85	20/44	On - Off	120x227x120
SS1462	2x2680	2700	2x19	10°/24°/36°/45°/60°	Ra>85	20/44	Dali	120x227x120
SS1463	2x2680	3000	2x19	10°/24°/36°/45°/60°	Ra>85	20/44	Dali	120x227x120
SS1464	2x2950	4000	2x19	10°/24°/36°/45°/60°	Ra>85	20/44	Dali	120x227x120

CARINA S PS1



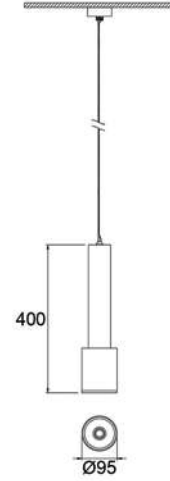
Code	Lumen (lm)	Kelvin (K)	Watt (W)	Beam angle (β)	CRI	IP	Control	Size (mm)
PS1067	1321	2700	10	10°/24°/36°/45°/60°	Ra>85	20/44	On - Off	80x80x120
PS1068	1321	3000	10	10°/24°/36°/45°/60°	Ra>85	20/44	On - Off	80x80x120
PS1069	1453	4000	10	10°/24°/36°/45°/60°	Ra>85	20/44	On - Off	80x80x120
PS1070	1321	2700	10	10°/24°/36°/45°/60°	Ra>85	20/44	Dali	80x80x120
PS1071	1321	3000	10	10°/24°/36°/45°/60°	Ra>85	20/44	Dali	80x80x120
PS1072	1453	4000	10	10°/24°/36°/45°/60°	Ra>85	20/44	Dali	80x80x120

CARINA D PS1



Code	Lumen (lm)	Kelvin (K)	Watt (W)	Beam angle (β)	CRI	IP	Control	Size (mm)
PS1007	1321	2700	10	10°/24°/36°/45°/60°	Ra>85	20/44	On - Off	Ø80x120
PS1008	1321	3000	10	10°/24°/36°/45°/60°	Ra>85	20/44	On - Off	Ø80x120
PS1009	1453	4000	10	10°/24°/36°/45°/60°	Ra>85	20/44	On - Off	Ø80x120
PS1010	1321	2700	10	10°/24°/36°/45°/60°	Ra>85	20/44	Dali	Ø80x120
PS1011	1321	3000	10	10°/24°/36°/45°/60°	Ra>85	20/44	Dali	Ø80x120
PS1012	1453	4000	10	10°/24°/36°/45°/60°	Ra>85	20/44	Dali	Ø80x120

CEPHEUS



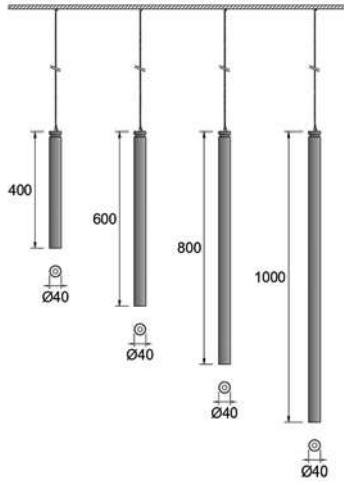
Code	Lumen (lm)	Kelvin (K)	Watt (W)	Beam angle (β)	CRI	IP	Control	Size (mm)
PL1007	1321	2700	10	10°/24°/36°/45°/60°	Ra>85	20/44	On - Off	Ø95x400
PL1008	1321	3000	10	10°/24°/36°/45°/60°	Ra>85	20/44	On - Off	Ø95x400
PL1009	1453	4000	10	10°/24°/36°/45°/60°	Ra>85	20/44	On - Off	Ø95x400
PL1010	1321	2700	10	10°/24°/36°/45°/60°	Ra>85	20/44	Dali	Ø95x400
PL1011	1321	3000	10	10°/24°/36°/45°/60°	Ra>85	20/44	Dali	Ø95x400
PL1012	1453	4000	10	10°/24°/36°/45°/60°	Ra>85	20/44	Dali	Ø95x400

LACERTA 4



Code	Lumen (lm)	Kelvin (K)	Watt (W)	Beam angle (β)	CRI	IP	Control	Size (mm)
PL1171	315	2700	2,5	10°/24°/36°/45°/60°	Ra>85	20	On - Off	Ø42x650
PL1172	315	3000	2,5	10°/24°/36°/45°/60°	Ra>85	20	On - Off	Ø42x650
PL1173	335	4000	2,5	10°/24°/36°/45°/60°	Ra>85	20	On - Off	Ø42x650
PL1174	315	2700	2,5	10°/24°/36°/45°/60°	Ra>85	20	Dali	Ø42x650
PL1175	315	3000	2,5	10°/24°/36°/45°/60°	Ra>85	20	Dali	Ø42x650
PL1176	335	4000	2,5	10°/24°/36°/45°/60°	Ra>85	20	Dali	Ø42x650

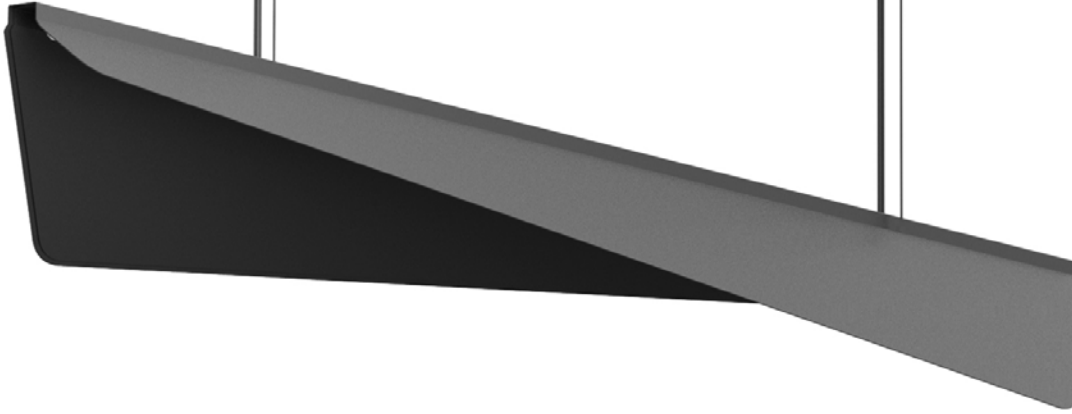
SERPENS PL4



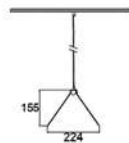
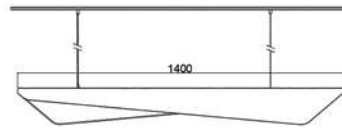
Code	Lumen (lm)	Kelvin (K)	Watt (W)	Beam angle (β)	CRI	IP	Control	Size (mm)
PS1151	315	2700	2,5	10°/24°/36°/45°/60°	Ra>85	20/44	On - Off	Ø40x800
PS1152	315	3000	2,5	10°/24°/36°/45°/60°	Ra>85	20/44	On - Off	Ø40x800
PS1153	335	4000	2,5	10°/24°/36°/45°/60°	Ra>85	20/44	On - Off	Ø40x800
PS1154	315	2700	2,5	10°/24°/36°/45°/60°	Ra>85	20/44	Dali	Ø40x800
PS1155	315	3000	2,5	10°/24°/36°/45°/60°	Ra>85	20/44	Dali	Ø40x800
PS1156	335	4000	2,5	10°/24°/36°/45°/60°	Ra>85	20/44	Dali	Ø40x800
PS1157	220	2700	1,7	10°/24°/36°/45°/60°	Ra>85	20/44	On - Off	Ø40x1000
PS1158	220	3000	1,7	10°/24°/36°/45°/60°	Ra>85	20/44	On - Off	Ø40x1000
PS1159	235	4000	1,7	10°/24°/36°/45°/60°	Ra>85	20/44	On - Off	Ø40x1000
PS1160	220	2700	1,7	10°/24°/36°/45°/60°	Ra>85	20/44	Dali	Ø40x1000
PS1161	220	3000	1,7	10°/24°/36°/45°/60°	Ra>85	20/44	Dali	Ø40x1000
PS1162	235	4000	1,7	10°/24°/36°/45°/60°	Ra>85	20/44	Dali	Ø40x1000
PS1163	315	2700	2,5	10°/24°/36°/45°/60°	Ra>85	20/44	On - Off	Ø40x1000
PS1164	315	3000	2,5	10°/24°/36°/45°/60°	Ra>85	20/44	On - Off	Ø40x1000
PS1165	335	4000	2,5	10°/24°/36°/45°/60°	Ra>85	20/44	On - Off	Ø40x1000
PS1166	335	2700	2,5	10°/24°/36°/45°/60°	Ra>85	20/44	Dali	Ø40x1000
PS1167	315	3000	2,5	10°/24°/36°/45°/60°	Ra>85	20/44	Dali	Ø40x1000
PS1168	335	4000	2,5	10°/24°/36°/45°/60°	Ra>85	20/44	Dali	Ø40x1000



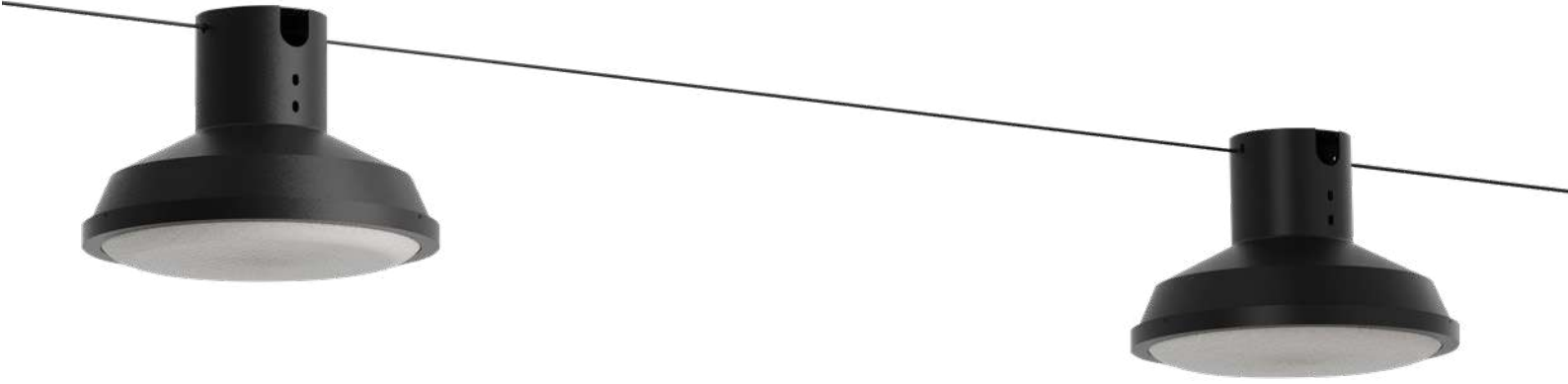
MIRACH



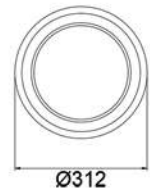
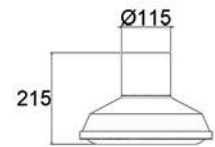
Code	Lumen (lm)	Kelvin (K)	Watt (W)	CRI	IP	Control	Size (mm)
PL1141	3600	2700	32	Ra>85	20	On - Off	155x224x1400
PL1142	3600	3000	32	Ra>85	20	On - Off	155x224x1400
PL1143	3960	4000	32	Ra>85	20	On - Off	155x224x1400
PL1144	3600	2700	32	Ra>85	20	Dali	155x224x1400
PL1145	3600	3000	32	Ra>85	20	Dali	155x224x1400
PL1146	3960	4000	32	Ra>85	20	Dali	155x224x1400



TUCANA

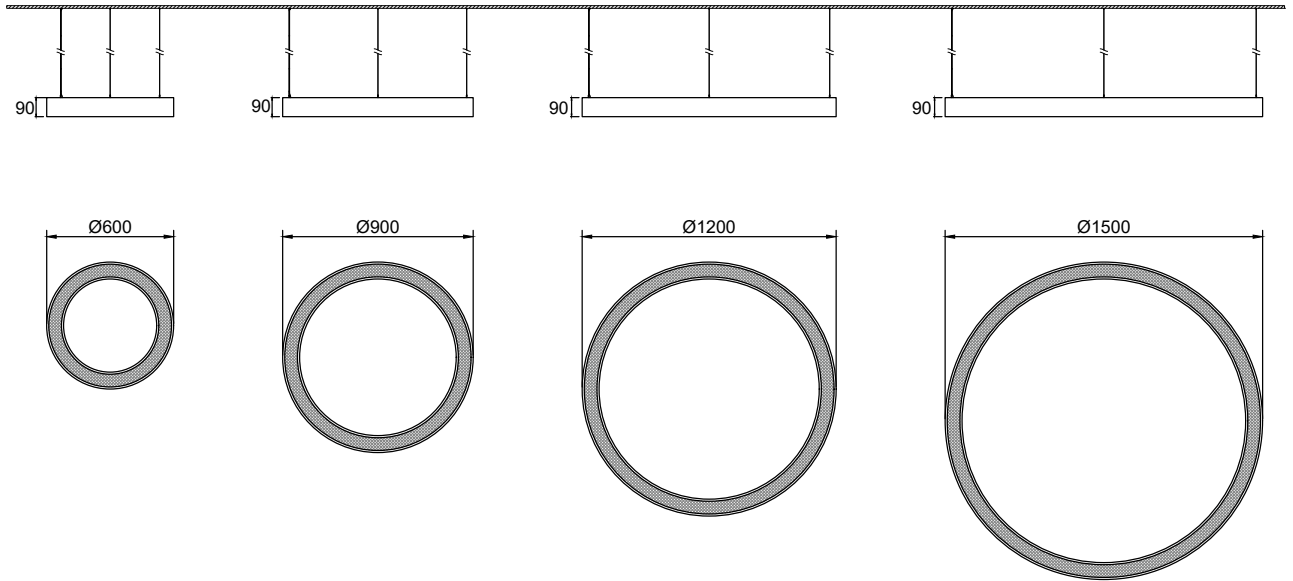


Code	Lumen (lm)	Kelvin (K)	Watt (W)	CRI	IP	Control	Size (mm)
PL1151	2680	2700	19	Ra>85	20	On - Off	Ø312x215
PL1152	2680	3000	19	Ra>85	20	On - Off	Ø312x215
PL1153	2950	4000	19	Ra>85	20	On - Off	Ø312x215
PL1154	2680	2700	19	Ra>85	20	Dali	Ø312x215
PL1155	2680	3000	19	Ra>85	20	Dali	Ø312x215
PL1156	2950	4000	19	Ra>85	20	Dali	Ø312x215
PL1157	3640	2700	27	Ra>85	20	On - Off	Ø312x215
PL1158	3640	3000	27	Ra>85	20	On - Off	Ø312x215
PL1159	4000	4000	27	Ra>85	20	On - Off	Ø312x215
PL1160	3640	2700	27	Ra>85	20	Dali	Ø312x215
PL1161	3640	3000	27	Ra>85	20	Dali	Ø312x215
PL1162	4000	4000	27	Ra>85	20	Dali	Ø312x215
PL1163	4550	2700	36	Ra>85	20	On - Off	Ø312x215
PL1164	4550	3000	36	Ra>85	20	On - Off	Ø312x215
PL1165	5000	4000	36	Ra>85	20	On - Off	Ø312x215
PL1166	4550	2700	36	Ra>85	20	Dali	Ø312x215
PL1167	4550	3000	36	Ra>85	20	Dali	Ø312x215
PL1168	5000	4000	36	Ra>85	20	Dali	Ø312x215





Code	Lumen lm	Kelvin K	Watt W	CRI	IP	V/Hz	Diameter (mm) Çap
SR.HA.600.30	3740	3000	24	Ra>80	20	220-240 50/60	Ø600mm
SR.HA.600.40	4070	4000	24	Ra>80	20		
SR.HA.900.30	5400	3000	48	Ra>80	20	220-240 50/60	Ø900mm
SR.HA.900.40	5940	4000	48	Ra>80	20		
SR.HA.1200.30	7200	3000	64	Ra>80	20	220-240 50/60	Ø1200mm
SR.HA.1200.40	7920	4000	64	Ra>80	20		
SR.HA.1500.30	9000	3000	80	Ra>80	20	220-240 50/60	Ø1500mm
SR.HA.1500.40	9900	4000	80	Ra>80	20		

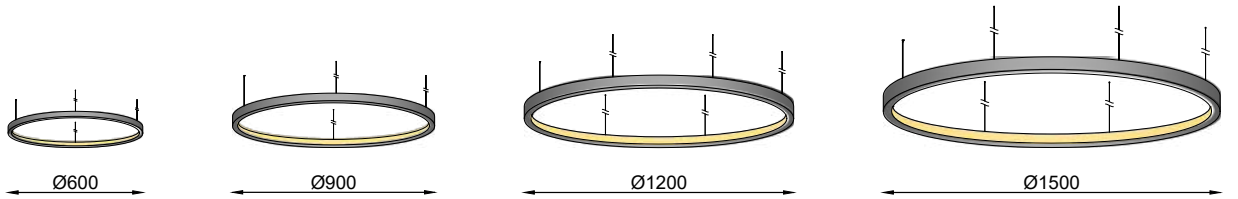


Sarkıt Aydınlatma

Pendant Lighting



Code	Lumen lm	Kelvin K	Watt W	IP	V/Hz	Diameter (mm) Çap	Profile Size (mm) Profil Ölçüsü (mm)
SR.HI.600.50.85.30	3888	3000	32	20	220-240 50/60	Ø600mm	50x85mm
SR.HI.600.50.85.40	4088	4000	32	20			
SR.HI.900.50.85.30	5832	3000	48	20	220-240 50/60	Ø900mm	50x85mm
SR.HI.900.50.85.40	6032	4000	48	20			
SR.HI.1200.50.85.30	7760	3000	64	20	220-240 50/60	Ø1200mm	50x85mm
SR.HI.1200.50.85.40	7960	4000	64	20			
SR.HI.1500.50.85.30	9720	3000	80	20	220-240 50/60	Ø1500mm	50x85mm
SR.HI.1500.50.85.40	9920	4000	80	20			

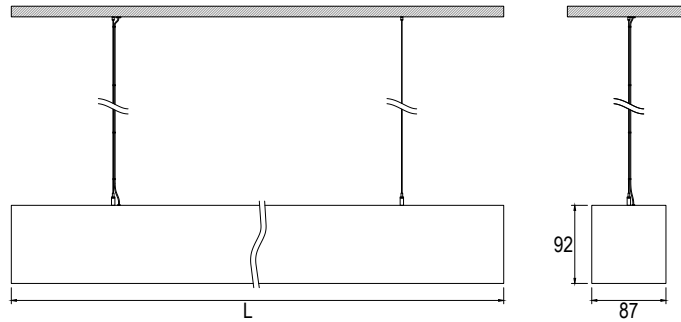


Linear Aydınlatma / Linear Lighting

Sarkit / Pendant



Code	Lumen lm	Kelvin K	Watt W	CRI	IP	V/Hz	Size(mm) L
LN.SR.87.92.1130.30	5200	3000	42.8	Ra>80	20/44	220-240 50/60	1130 mm
LN.SR.87.92.1130.40	5400	4000	42.8	Ra>80	20/44		
LN.SR.87.92.2250.30	10400	3000	85.6	Ra>80	20/44	220-240 50/60	2250 mm
LN.SR.87.92.2250.40	10800	4000	85.6	Ra>80	20/44		
LN.SR.87.92.3370.30	15600	3000	128.4	Ra>80	20/44	220-240 50/60	3370 mm
LN.SR.87.92.3370.40	16200	4000	128.4	Ra>80	20/44		

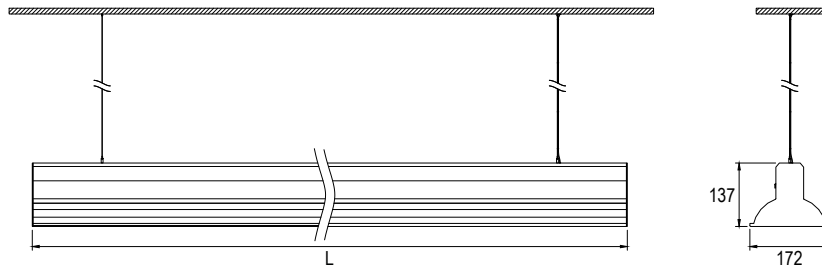


Linear Aydınlatma / Linear Lighting

Sarkit / Pendant



Code	Lumen lm	Kelvin K	Watt W	CRI	IP	Lamp Type	V/Hz	Size(mm) L
LN.SR.1010.16.30	2000	3000	16	Ra>80	20	LED	220-240 50/60	1010mm
LN.SR.1010.16.40	2150	4000	16	Ra>80	20	LED		1010mm
LN.SR.2010.32.30	4000	3000	32	Ra>80	20	LED	220-240 50/60	2010mm
LN.SR.2010.32.40	4150	4000	32	Ra>80	20	LED		2010mm
LN.SR.3010.48.30	6000	3000	48	Ra>80	20	LED	220-240 50/60	3010mm
LN.SR.3010.48.40	6150	4000	48	Ra>80	20	LED		3010mm
LN.SR.1000.36.30	3800	3000	36	Ra>80	20	LED	220-240 50/60	1000mm
LN.SR.1000.36.40	3900	4000	36	Ra>80	20	LED		1000mm
LN.SR.2000.72.30	7600	3000	72	Ra>80	20	LED	220-240 50/60	2000mm
LN.SR.2000.72.40	7700	4000	72	Ra>80	20	LED		2000mm
LN.SR.3000.108.30	11400	3000	108	Ra>80	20	LED	220-240 50/60	3000mm
LN.SR.3000.108.40	11500	4000	108	Ra>80	20	LED		3000mm

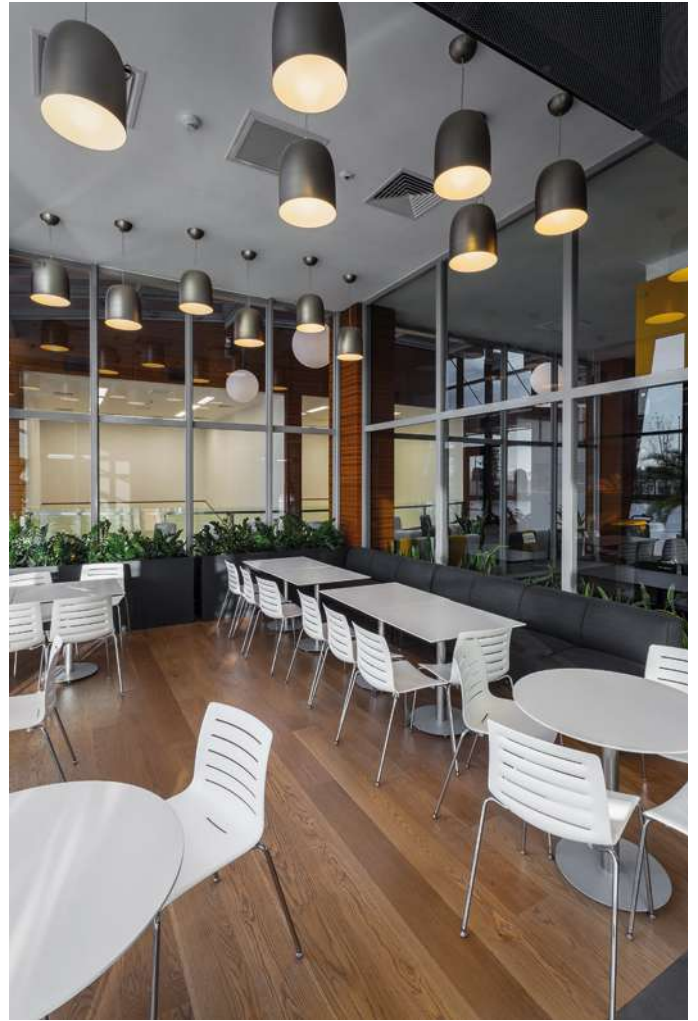


Özel Üretim Sarkıtlar
Special Production Pendant Luminaires

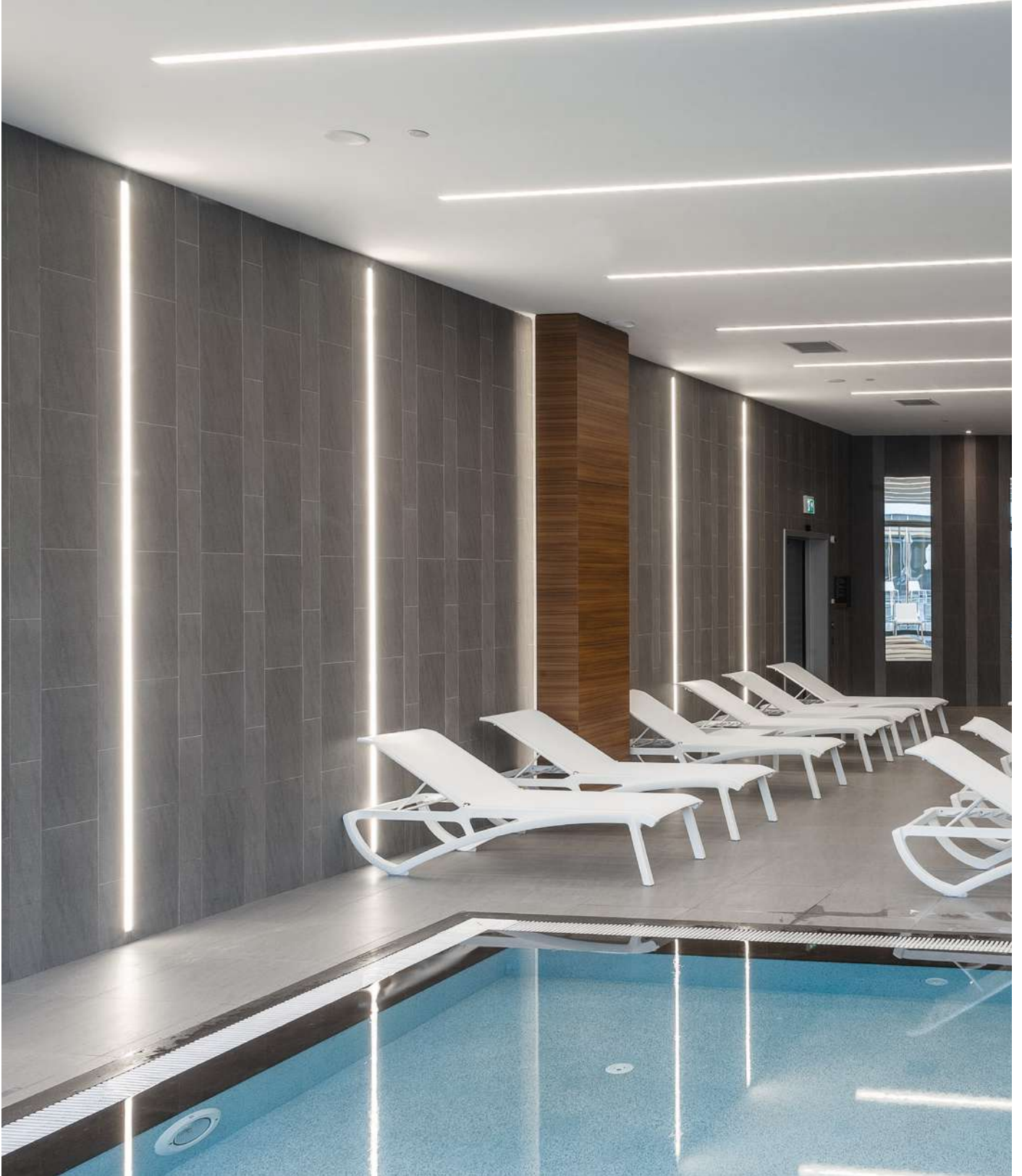


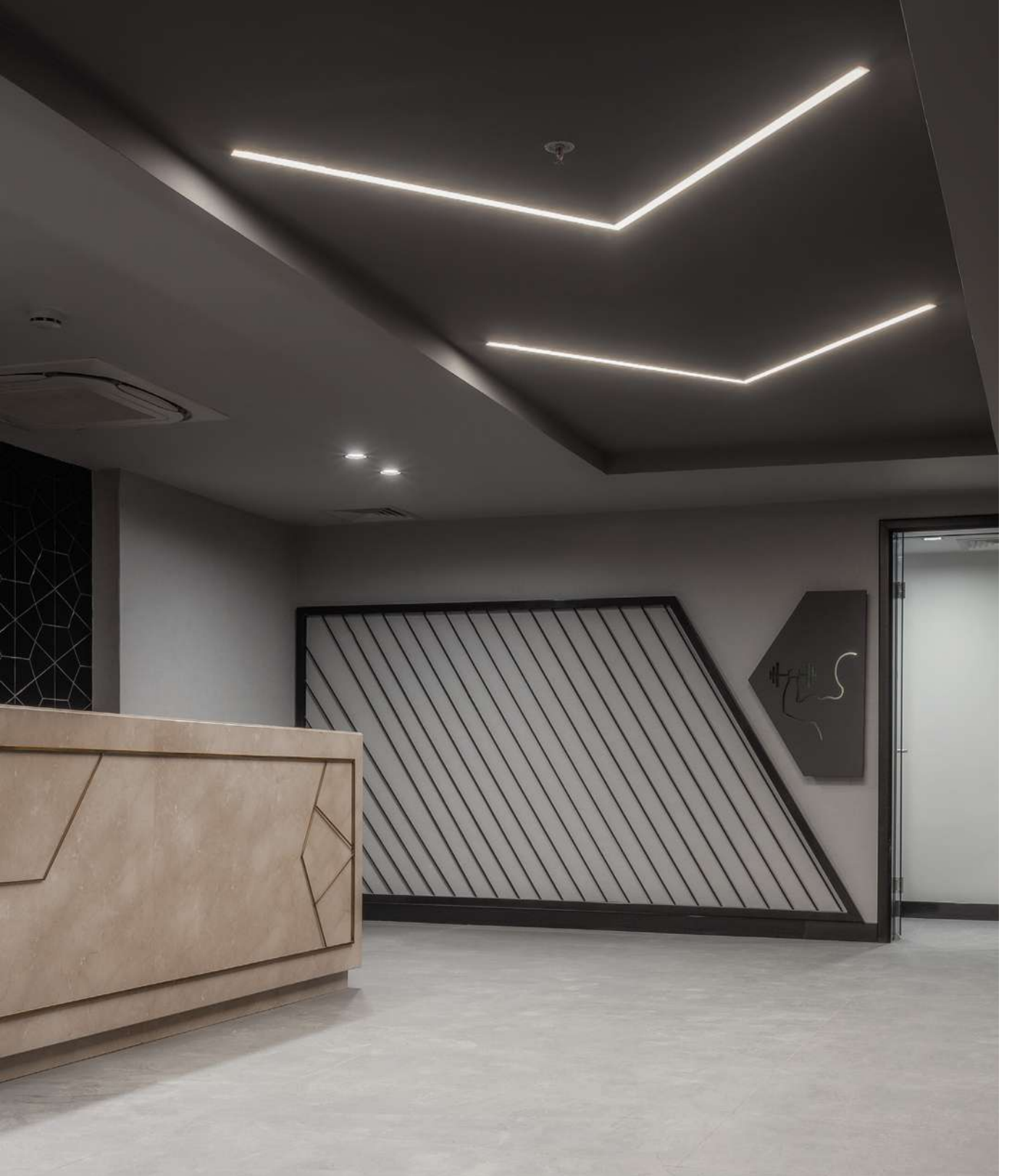
Özel Üretim Sarkıtlar

Special Production Pendant Luminaires



Linear Aydınlatma / Linear Lighting
Sıva Üstü / Surface





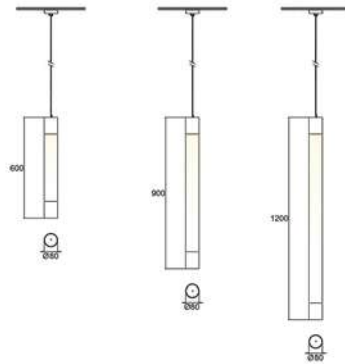




CYGNUS

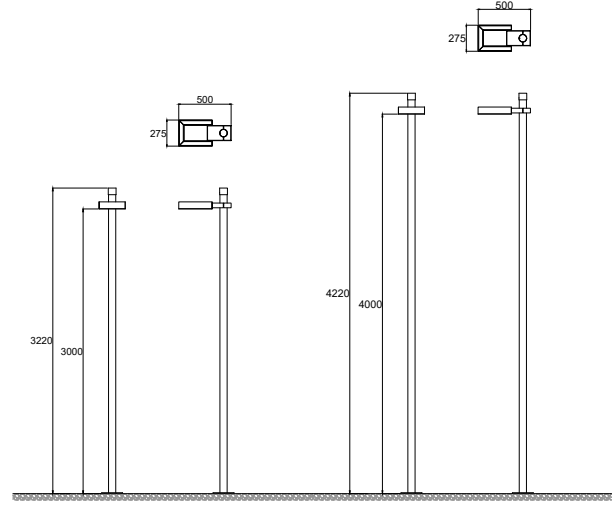


Code	Lumen (lm)	Kelvin (K)	Watt (W)	CRI	IP	Control	Size (mm)
PL1121	2550	2700	21	Ra>85	20	On - Off	Ø80x600
PL1122	2550	3000	21	Ra>85	20	On - Off	Ø80x600
PL1123	2800	4000	21	Ra>85	20	On - Off	Ø80x600
PL1124	2550	2700	21	Ra>85	20	Dali	Ø80x600
PL1125	2550	3000	21	Ra>85	20	Dali	Ø80x600
PL1126	2800	4000	21	Ra>85	20	Dali	Ø80x600



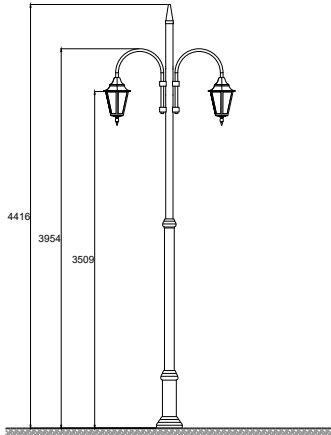
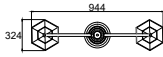


AKASYA



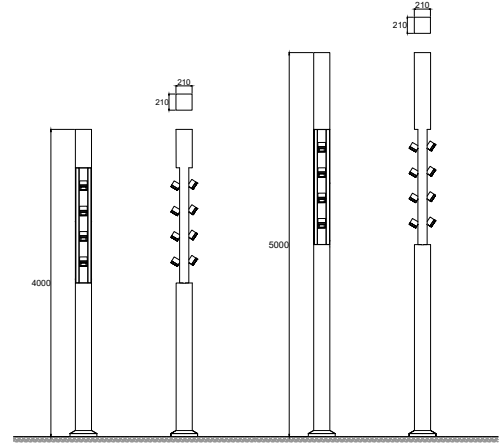
Code	Lumen (lm)	Kelvin (K)	Watt (W)	CRI	IP	Control	Size (mm)
WLO1341	1520	2700	14	Ra>85	54	On - Off	Ø500
WLO1342	1520	3000	14	Ra>85	54	On - Off	Ø500

KAVAK



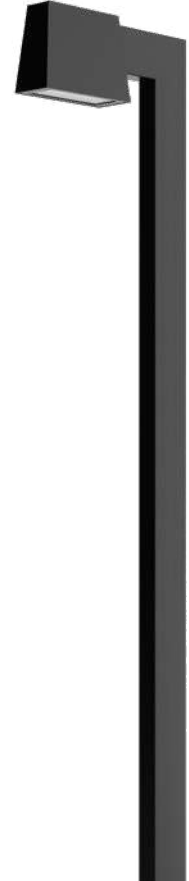
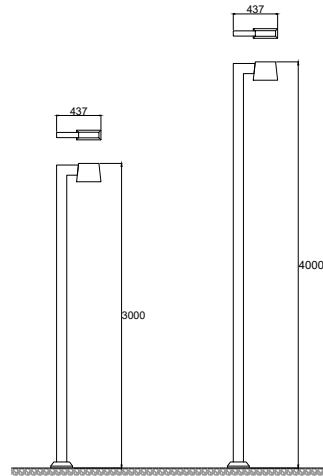
Code	Lumen (lm)	Kelvin (K)	Watt (W)	CRI	IP	Control	Size (mm)
URL1284	2x3640	2700	2x25	Ra>85	65	On - Off	4416
URL1285	2x3640	3000	2x25	Ra>85	65	On - Off	4416
URL1286	2x4000	4000	2x25	Ra>85	65	On - Off	4416

KESTANE



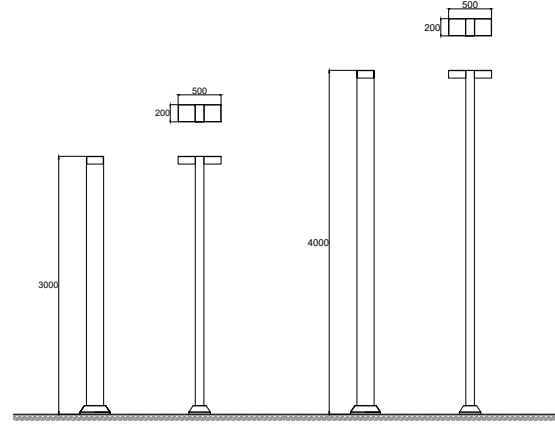
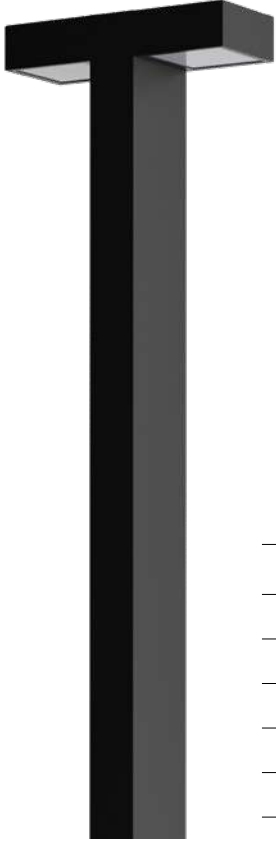
Code	Lumen (lm)	Kelvin (K)	Watt (W)	CRI	IP	Control	Size (mm)
URL1057	8x1277	2700	8x9	Ra>85	65	On - Off	4000
URL1058	8x1277	3000	8x9	Ra>85	65	On - Off	4000
URL1059	8x1277	4000	8x9	Ra>85	65	On - Off	4000
URL1060	8x1277	2700	8x9	Ra>85	65	On - Off	5000
URL1061	8x1277	3000	8x9	Ra>85	65	On - Off	5000
URL1062	8x1277	4000	8x9	Ra>85	65	On - Off	5000

SEDİR



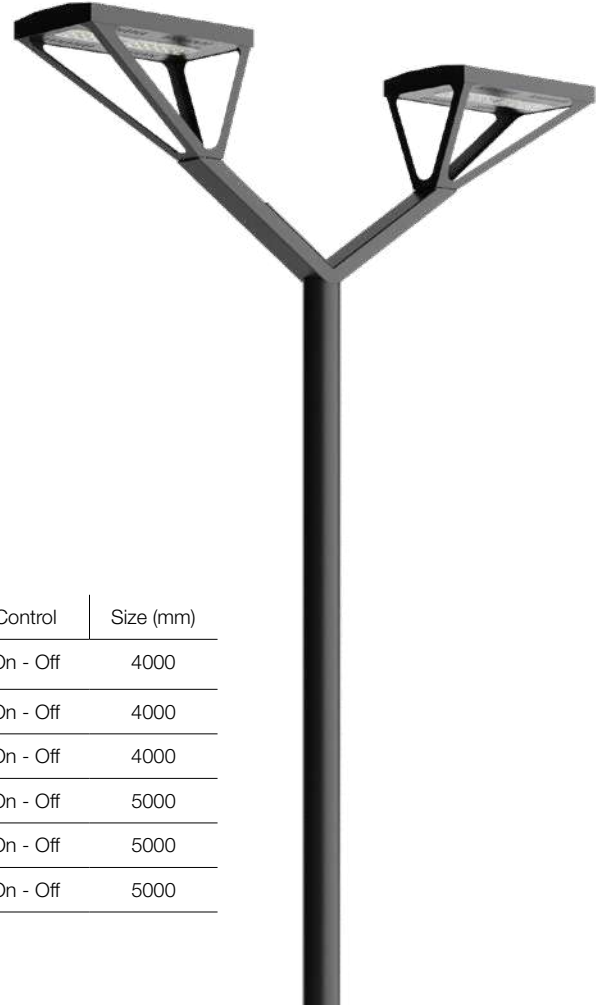
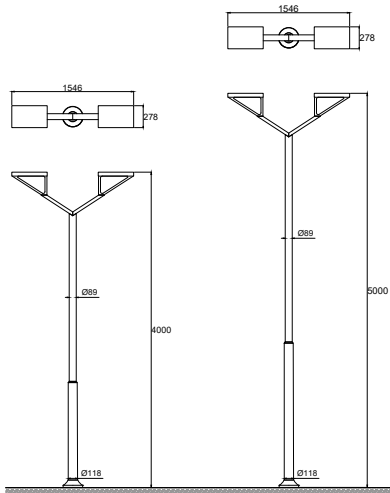
Code	Lumen (lm)	Kelvin (K)	Watt (W)	CRI	IP	Control	Size (mm)
URL1221	2680	2700	17,5	Ra>85	65	On - Off	3000
URL1222	2680	3000	17,5	Ra>85	65	On - Off	3000
URL1223	2950	4000	17,5	Ra>85	65	On - Off	3000
URL1224	2680	2700	17,5	Ra>85	65	On - Off	4000
URL1225	2680	3000	17,5	Ra>85	65	On - Off	4000
URL1226	2950	4000	17,5	Ra>85	65	On - Off	4000

SERVİ



Code	Lumen (lm)	Kelvin (K)	Watt (W)	CRI	IP	Control	Size (mm)
URL1257	2x4550	2700	2x33	Ra>85	65	On - Off	3000
URL1258	2x4450	3000	2x33	Ra>85	65	On - Off	3000
URL1259	2x5005	4000	2x33	Ra>85	65	On - Off	3000
URL1260	2x4550	2700	2x33	Ra>85	65	On - Off	4000
URL1261	2x4450	3000	2x33	Ra>85	65	On - Off	4000
URL1262	2x5005	4000	2x33	Ra>85	65	On - Off	4000

OKALİPTUS



Code	Lumen (lm)	Kelvin (K)	Watt (W)	CRI	IP	Control	Size (mm)
URL1137	2x7200	2700	2x50,5	Ra>85	65	On - Off	4000
URL1138	2x7200	3000	2x50,5	Ra>85	65	On - Off	4000
URL1139	2x7920	4000	2x50,5	Ra>85	65	On - Off	4000
URL1140	2x7200	2700	2x50,5	Ra>85	65	On - Off	5000
URL1141	2x7200	3000	2x50,5	Ra>85	65	On - Off	5000
URL1142	2x7920	4000	2x50,5	Ra>85	65	On - Off	5000



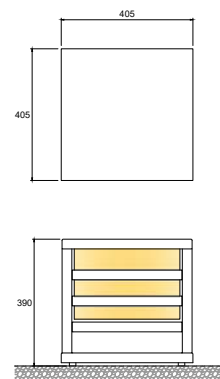






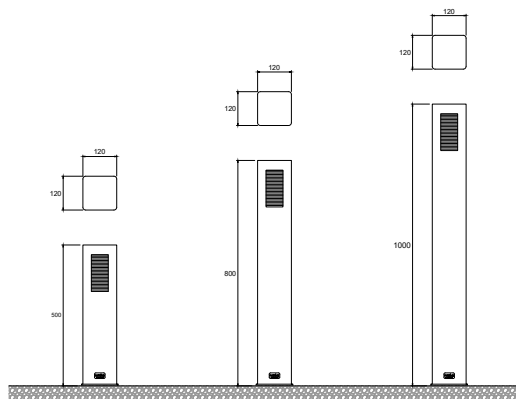


CIBES



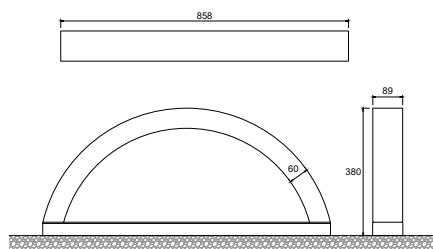
Code	Lumen (lm)	Kelvin (K)	Watt (W)	CRI	IP	Control	Size (mm)
BL1351	1521	2700	14	Ra>85	65	On - Off	405x405x390
BL1352	1521	3000	14	Ra>85	65	On - Off	405x405x390
BL1353	1673	4000	14	Ra>85	65	On - Off	405x405x390

HIBISKUS



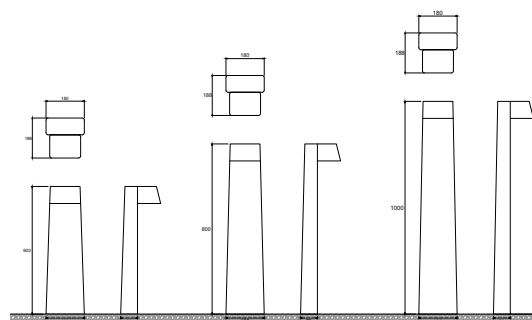
Code	Lumen (lm)	Kelvin (K)	Watt (W)	CRI	IP	Control	Size (mm)
BL1191	1224	2700	8	Ra>85	65	On - Off	120x120x500
BL1192	1224	3000	8	Ra>85	65	On - Off	120x120x500
BL1193	1345	4000	8	Ra>85	65	On - Off	120x120x500
BL1194	1224	2700	8	Ra>85	65	On - Off	120x120x800
BL1195	1224	3000	8	Ra>85	65	On - Off	120x120x800
BL1196	1345	4000	8	Ra>85	65	On - Off	120x120x800
BL1197	2448	2700	16	Ra>85	65	On - Off	120x120x1000
BL1198	2448	3000	16	Ra>85	65	On - Off	120x120x1000
BL1199	2690	4000	16	Ra>85	65	On - Off	120x120x1000

LABADA



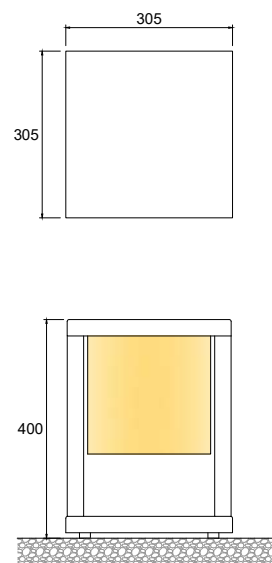
Code	Lumen (lm)	Kelvin (K)	Watt (W)	CRI	IP	Control	Size (mm)
BL1241	3000	2700	30	Ra>85	65	On - Off	89x858x360
BL1242	3000	3000	30	Ra>85	65	On - Off	89x858x360
BL1243	3300	4000	30	Ra>85	65	On - Off	89x858x360

LAVANTA



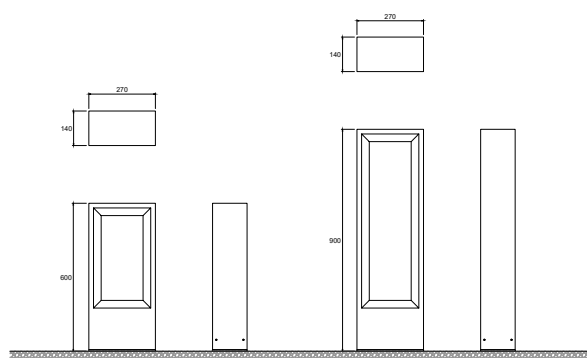
Code	Lumen (lm)	Kelvin (K)	Watt (W)	CRI	IP	Control	Size (mm)
BL1251	1321	2700	9	Ra>85	65	On - Off	188x180x500
BL1252	1321	3000	9	Ra>85	65	On - Off	188x180x500
BL1253	1450	4000	9	Ra>85	65	On - Off	188x180x500
BL1254	1810	2700	12,5	Ra>85	65	On - Off	188x180x800
BL1255	1810	3000	12,5	Ra>85	65	On - Off	188x180x800
BL1256	1990	4000	12,5	Ra>85	65	On - Off	188x180x800
BL1257	1810	2700	12,5	Ra>85	65	On - Off	188x180x1000
BL1258	1810	3000	12,5	Ra>85	65	On - Off	188x180x1000
BL1259	1990	4000	12,5	Ra>85	65	On - Off	188x180x1000

MARANTA



Code	Lumen (lm)	Kelvin (K)	Watt (W)	CRI	IP	Control	Size (mm)
BL1271	1521	2700	14	Ra>85	65	On - Off	305x305x400
BL1272	1521	3000	14	Ra>85	65	On - Off	305x305x400
BL1273	1673	4000	14	Ra>85	65	On - Off	305x305x400

MAZI



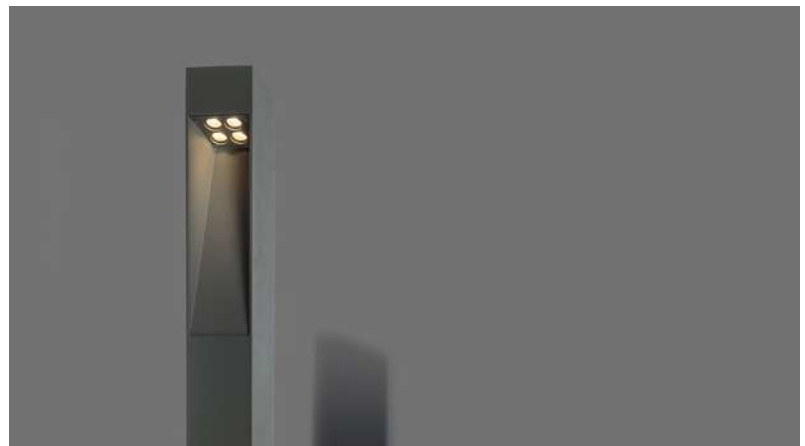
Code	Lumen (lm)	Kelvin (K)	Watt (W)	CRI	IP	Control	Size (mm)
BL1281	2398	2700	18	Ra>85	65	On - Off	140x270x600
BL1282	2398	3000	18	Ra>85	65	On - Off	140x270x600
BL1283	2638	4000	18	Ra>85	65	On - Off	140x270x600
BL1284	2398	2700	18	Ra>85	65	On - Off	140x270x900
BL1285	2398	3000	18	Ra>85	65	On - Off	140x270x900
BL1286	2638	4000	18	Ra>85	65	On - Off	140x270x900









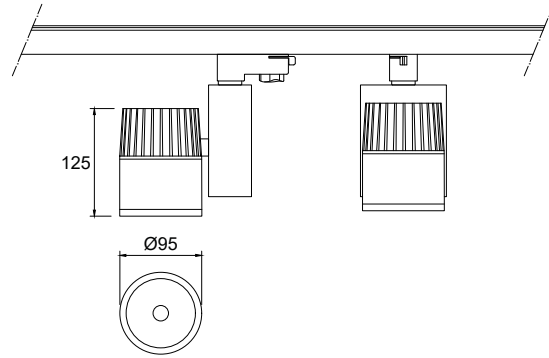


Ray Spotlar ve Raylar

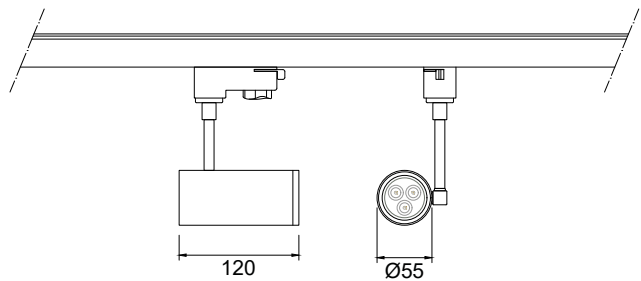
Track Spotlights and Track



Code	Lumen lm	Kelvin K	Watt W	Beam angle β	CRI	IP	V/Hz
RS.95.125.24.30	2800	3000	24	24°/36°/45°	Ra>80	20	220-240 50/60
RS.95.125.24.40	2920	4000	24	24°/36°/45°	Ra>80	20	
RS.95.125.31.30	3640	3000	31	24°/36°/45°	Ra>80	20	220-240 50/60
RS.95.125.31.40	3760	4000	31	24°/36°/45°	Ra>80	20	
RS.95.125.36.30	4480	3000	36	24°/36°/45°	Ra>80	20	220-240 50/60
RS.95.125.36.40	4600	4000	36	24°/36°/45°	Ra>80	20	



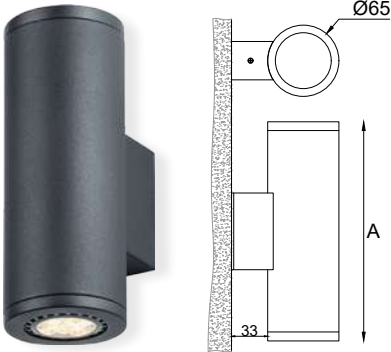
Code	Lumen lm	Kelvin K	Watt W	Beam angle β	CRI	IP	V/Hz
RS.55.120.27	350	2700	5	36°	Ra>80	20	220-240 50/60
RS.55.120.30	350	3000	5	36°	Ra>80	20	



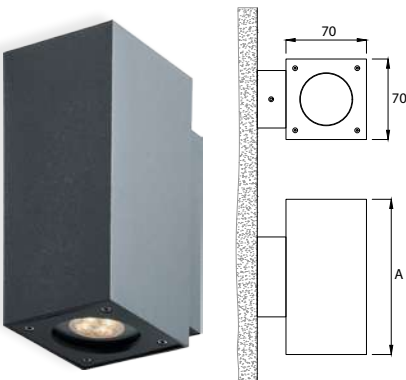


Aplikler / Wall Luminaires

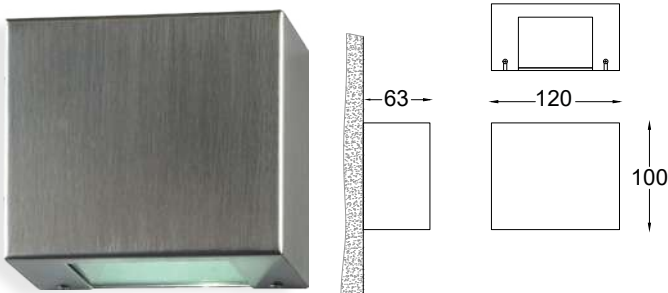
Surface Mounted



Code	Lumen lm	Kelvin K	Watt W	Beam angle β	CRI	IP	V/Hz	Size(mm) A
DA.65.120.2.27	1x350	2700	1x5	36°	Ra>80	20	220-240 50/60	120
DA.65.120.2.30	1x360	3000	1x5	36°	Ra>80	20		
DA.65.150.2.27	2x350	2700	2x5	36°	Ra>80	20	220-240 50/60	150
DA.65.150.2.30	2x360	3000	2x5	36°	Ra>80	20		
DA.65.200.2.27	2x350	2700	2x5	36°	Ra>80	20	220-240 50/60	200
DA.65.200.2.30	2x360	3000	2x5	36°	Ra>80	20		



Code	Lumen lm	Kelvin K	Watt W	Beam angle β	CRI	IP	V/Hz	Size(mm) A
DA.70.70.120.27	1x350	2700	1x5	36°	Ra>80	20	220-240 50/60	120
DA.70.70.120.30	1x360	3000	1x5	36°	Ra>80	20		
DA.70.70.150.27	2x350	2700	2x5	36°	Ra>80	20	220-240 50/60	150
DA.70.70.150.30	2x360	3000	2x5	36°	Ra>80	20		



Code	Lumen lm	Kelvin K	Watt W	CRI	IP	V/Hz
DA.120.100.30	2x144	3000	2x1.2	Ra>80	20	220-240 50/60
DA.120.100.40	2x182	4000	2x1.2	Ra>80	20	

Özel Üretim Aplikler
Special Production Wall Luminaire



Dolap Altı Aydınlatma

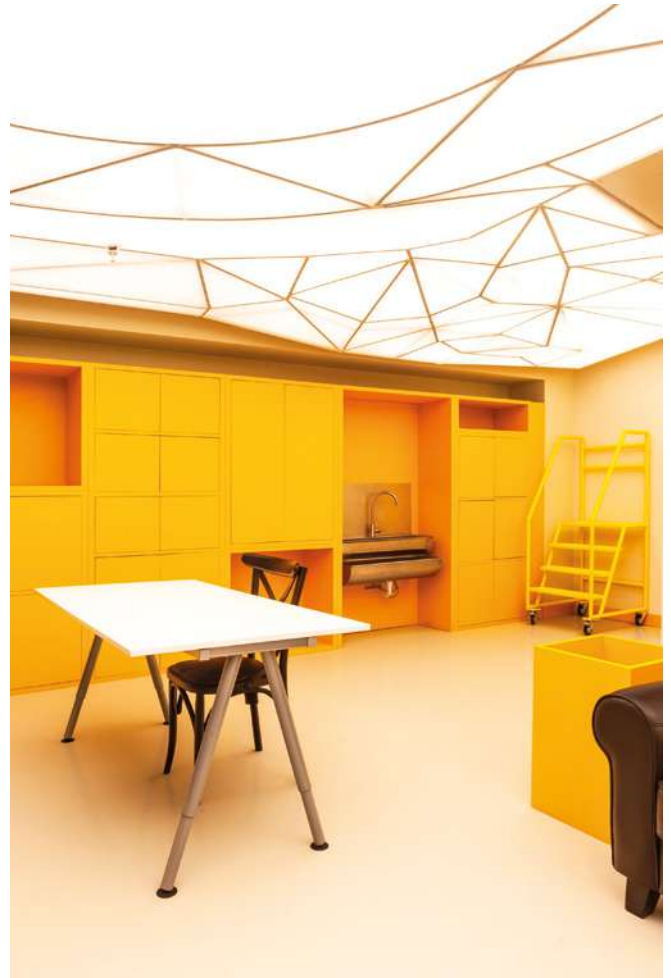
Under Cabinet Lighting

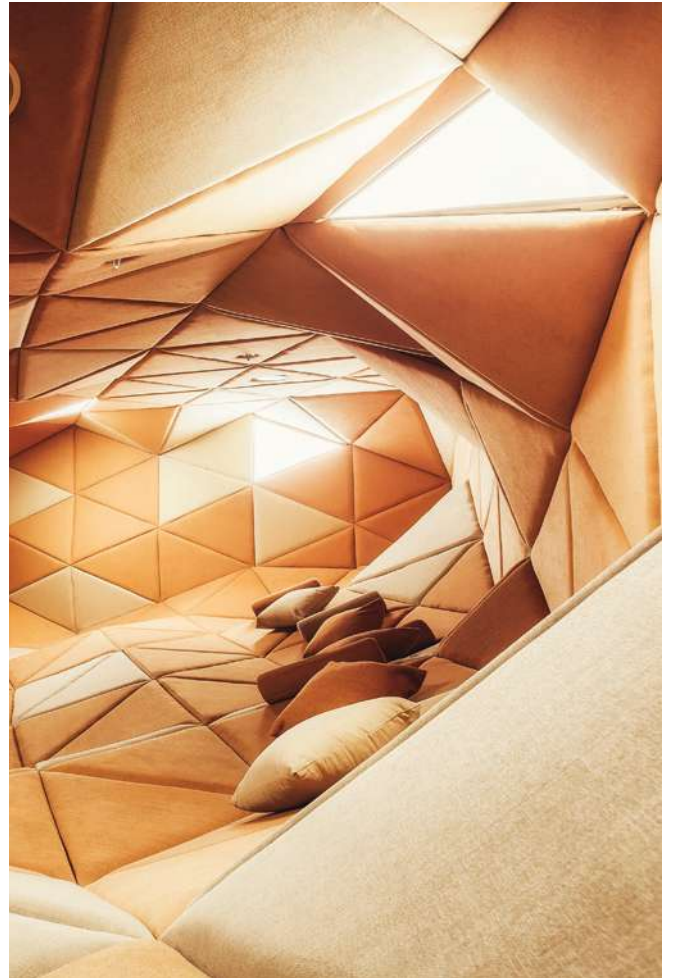


Dolap Altı Aydınlatma

Under Cabinet Lighting

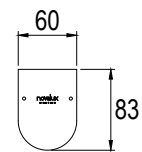
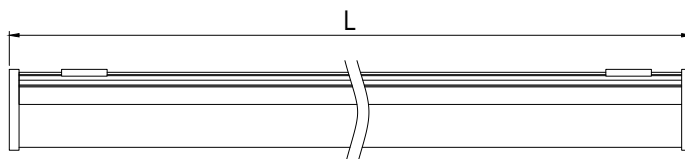


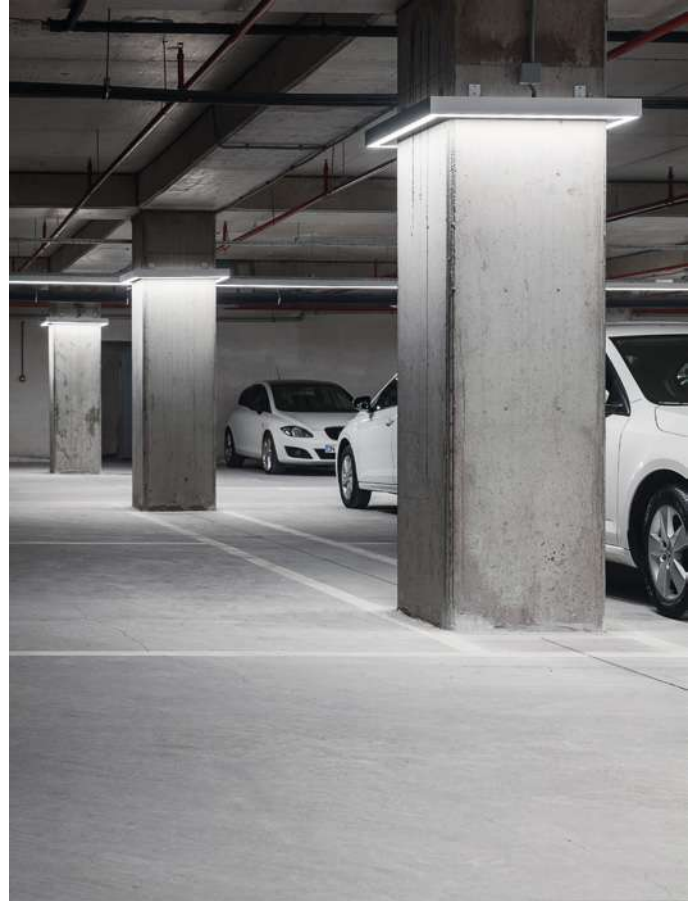






Code	Lumen lm	Kelvin K	Watt W	CRI	IP	Lamp Type	V/Hz	Size(mm) L
AE.1010.16.30	2000	3000	16	Ra>80	65	LED	220-240 50/60	1010mm
AE.1010.16.40	2150	4000	16	Ra>80	65	LED		1010mm
AE.2010.32.30	4000	3000	32	Ra>80	65	LED	220-240 50/60	2010mm
AE.2010.32.40	4150	4000	32	Ra>80	65	LED		2010mm
AE.3010.48.30	6000	3000	48	Ra>80	65	LED	220-240 50/60	3010mm
AE.3010.48.40	6150	4000	48	Ra>80	65	LED		3010mm
AE.1000.36.30	3800	3000	36	Ra>80	65	LED	220-240 50/60	1000mm
AE.1000.36.40	3900	4000	36	Ra>80	65	LED		1000mm
AE.2000.72.30	7600	3000	72	Ra>80	65	LED	220-240 50/60	2000mm
AE.2000.72.40	7700	4000	72	Ra>80	65	LED		2000mm
AE.3000.108.30	11400	3000	108	Ra>80	65	LED	220-240 50/60	3000mm
AE.3000.108.40	11500	4000	108	Ra>80	65	LED		3000mm



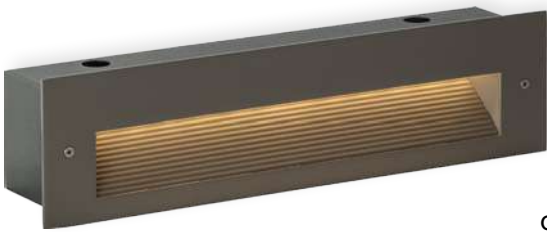
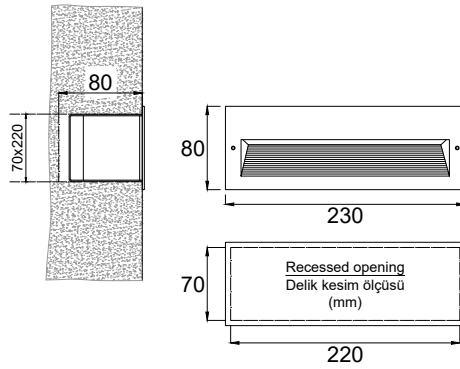


Sıva Altı Aplikler

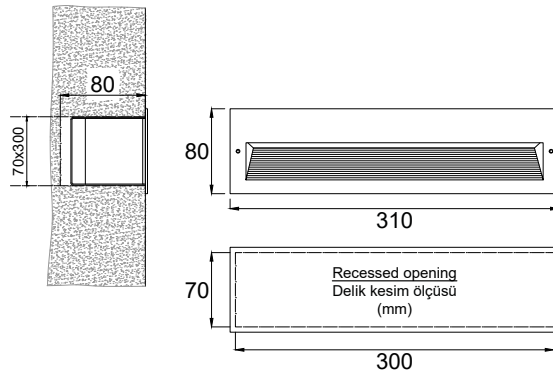
Recessed Wall Luminaires



Code	Lumen lm	Kelvin K	Watt W	CRI	IP	V/Hz	Recessed opening Delik kesim ölçüsü
HA.SA.80.230.30	790	3000	5	Ra>80	54	220-240 50/60	70x220x80 mm
HA.SA.80.230.40	840	4000	5	Ra>80	54		



Code	Lumen lm	Kelvin K	Watt W	CRI	IP	V/Hz	Recessed opening Delik kesim ölçüsü
HA.SA.80.310.30	1192	3000	7.75	Ra>80	54	220-240 50/60	70x300x80 mm
HA.SA.80.310.40	1232	4000	7.75	Ra>80	54		



Sıva Altı Aplikler
Recessed Wall Luminaires

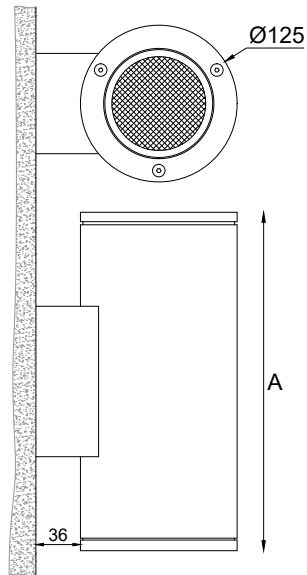


Sıva Üstü Aplikler

Wall-Surface Mounted Luminaires



Code	Lumen lm	Kelvin K	Watt W	Beam angle β	CRI	IP	V/Hz	Size(mm) A
HA.125.200.27	1x950	2700	1X12	36°	Ra>80	65		
HA.125.200.30	1x1000	3000	1X12	36°	Ra>80	65	220-240 50/60	200
HA.125.200.40	1x1045	4000	1X12	36°	Ra>80	65		
HA.125.300.27	2x950	2700	2X12	36°	Ra>80	65		
HA.125.300.30	2x1000	3000	2X12	36°	Ra>80	65	220-240 50/60	300
HA.125.300.40	2x1045	4000	2X12	36°	Ra>80	65		



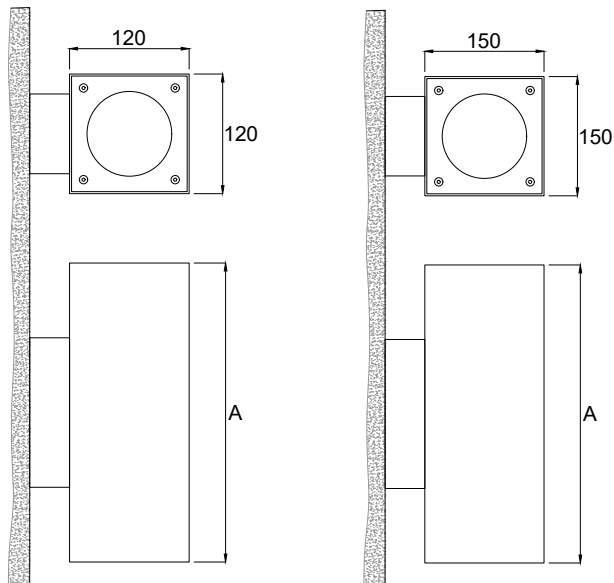
Sıva Üstü Aplikler

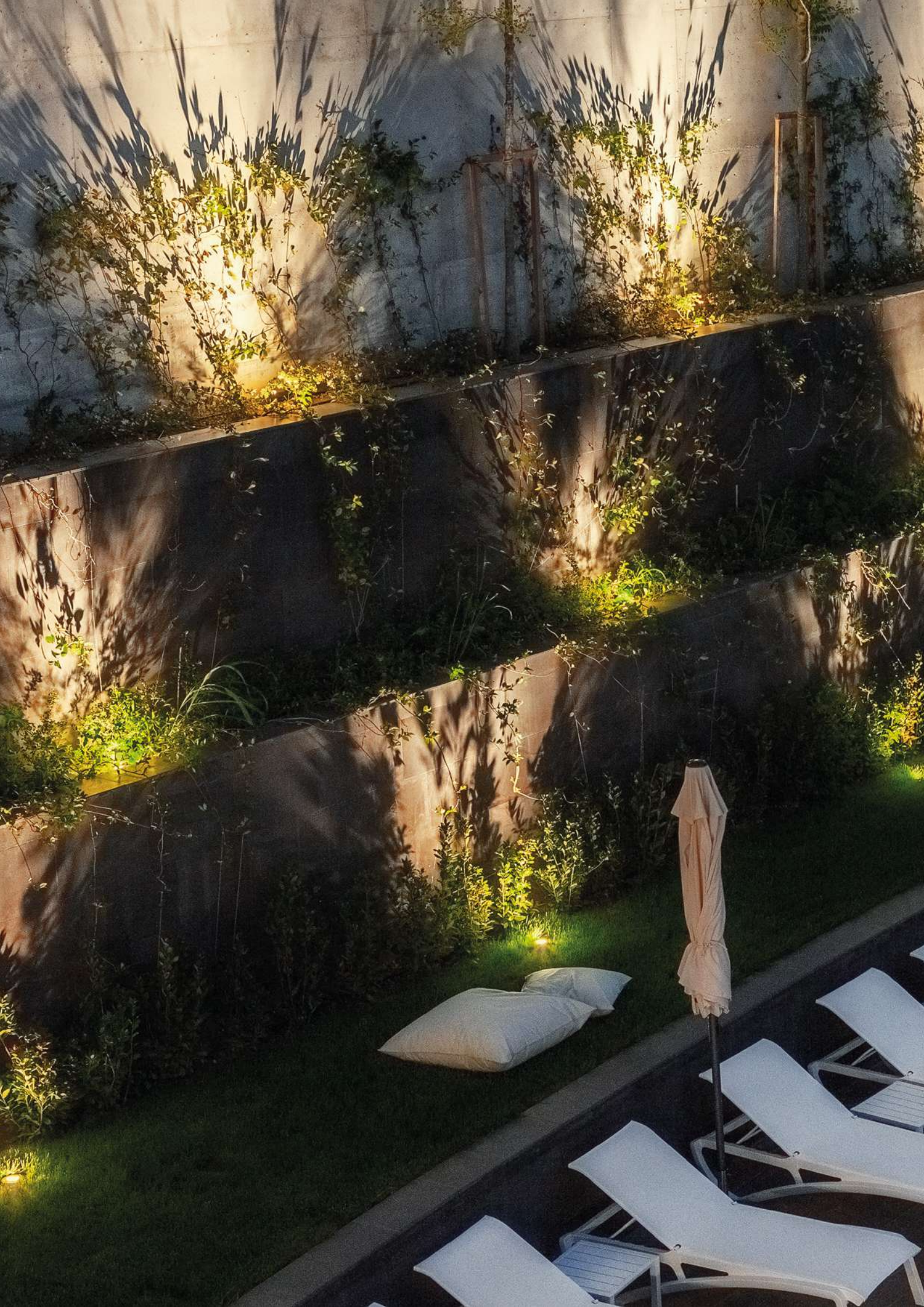
Wall-Surface Mounted Luminaires

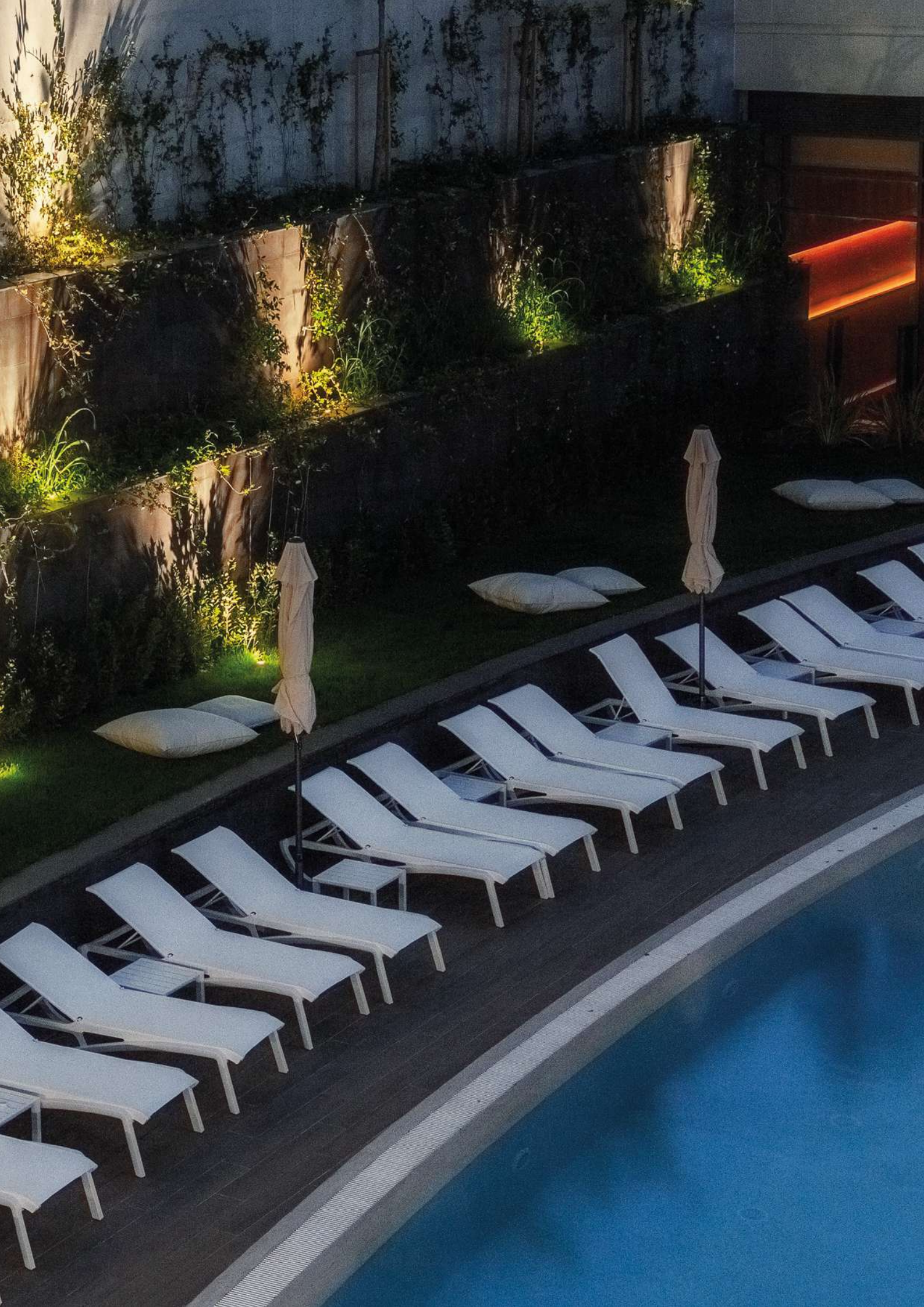


Code	Lumen lm	Kelvin K	Watt W	Beam angle β	CRI	IP	V/Hz	Size(mm) A
HA.120.120.200.27	1x950	2700	1X12	36°	Ra>80	65	220-240 50/60	200
HA.120.120.200.30	1x1000	3000	1X12	36°	Ra>80	65		
HA.120.120.200.40	1x1045	4000	1X12	36°	Ra>80	65		
HA.120.120.300.27	2x950	2700	2X12	36°	Ra>80	65	220-240 50/60	300
HA.120.120.300.30	2x1000	3000	2X12	36°	Ra>80	65		
HA.120.120.300.40	2x1045	4000	2X12	36°	Ra>80	65		

Code	Lumen lm	Kelvin K	Watt W	Beam angle β	CRI	IP	V/Hz	Size(mm) A
HA.150.150.200.27	1x950	2700	1x12	36°	Ra>80	65	220-240 50/60	200
HA.150.150.200.30	1x1000	3000	1x12	36°	Ra>80	65		
HA.150.150.300.27	2x950	2700	2x12	36°	Ra>80	65	220-240 50/60	300
HA.150.150.300.30	2x1000	3000	2x12	36°	Ra>80	65		





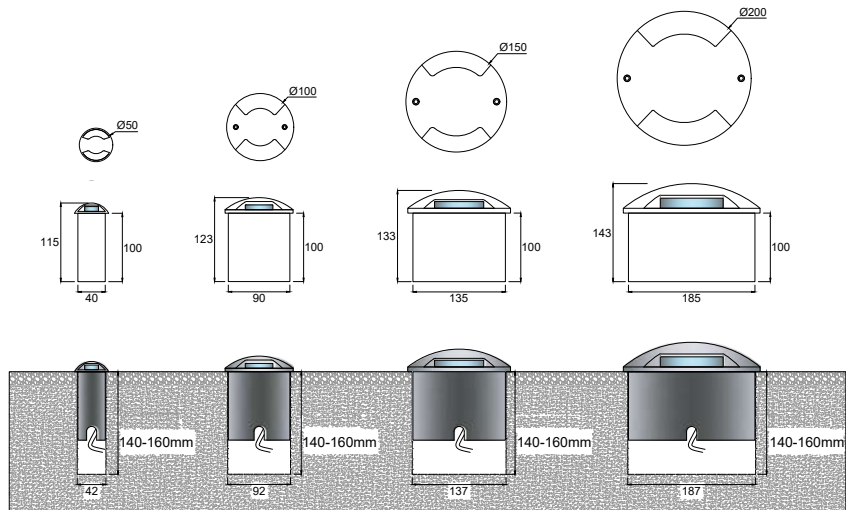


Yere Gömme Armatürler

In-Ground Luminaires



Code	Lumen lm	Kelvin K	Watt W	CRI	IP	V/Hz	Diameter Çap	Hole size(mm) Delik çapı	Installation depth Montaj derinliği	Pressure load Basınç yükü
YG.50.100.D.27	2x144	2700	2x1.2	Ra>80	67	220-240 50/60	Ø50	Ø42	140-160mm	4000kg
YG.50.100.D.30	2x162	3000	2x1.2	Ra>80	67					
YG.50.100.D.40	2x180	4000	2x1.2	Ra>80	67					
YG.100.100.D.27	2x144	2700	2x1.2	Ra>80	67	220-240 50/60	Ø100	Ø92	140-160mm	4000kg
YG.100.100.D.30	2x162	3000	2x1.2	Ra>80	67					
YG.100.100.D.40	2x180	4000	2x1.2	Ra>80	67					
YG.150.100.D.27	2x177	2700	2x1.6	Ra>80	67	220-240 50/60	Ø150	Ø137	140-160mm	4000kg
YG.150.100.D.30	2x184	3000	2x1.6	Ra>80	67					
YG.150.100.D.40	2x190	4000	2x1.6	Ra>80	67					
YG.200.100.D.27	2x240	2700	2x2.2	Ra>80	67	220-240 50/60	Ø200	Ø187	140-160mm	4000kg
YG.200.100.D.30	2x280	3000	2x2.2	Ra>80	67					
YG.200.100.D.40	2x330	4000	2x2.2	Ra>80	67					

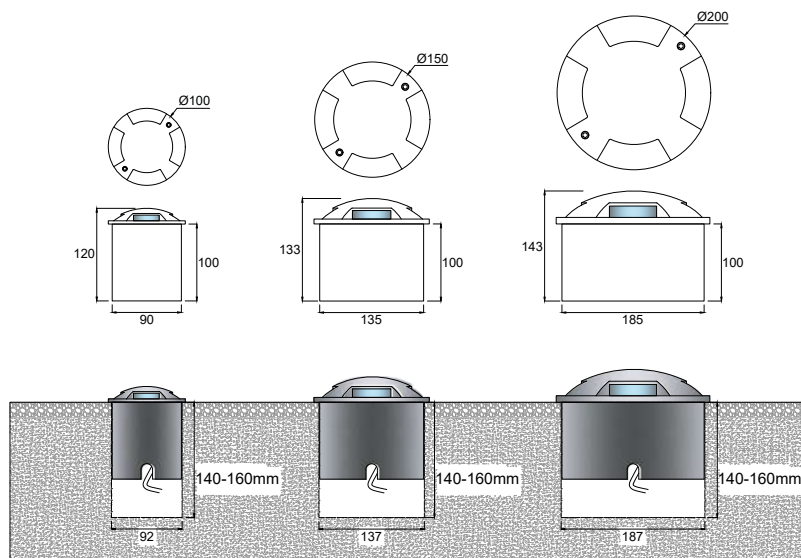


Yere Gömme Armatürler

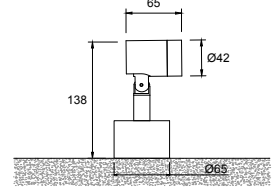
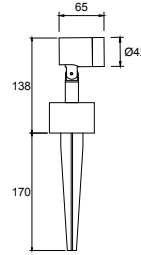
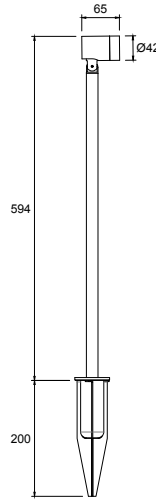
In-Ground Luminaires



Code	Lumen lm	Kelvin K	Watt W	CRI	IP	V/Hz	Diameter Çap	Hole size(mm) Delik çapı	Installation depth Montaj derinliği	Pressure load Basınç yükü
YG.100.100.F.27	4x144	2700	4x1.2	Ra>80	67	220-240 50/60	Ø100	Ø92	140-160mm	4000kg
YG.100.100.F.30	4x162	3000	4x1.2	Ra>80	67					
YG.100.100.F.40	4x180	4000	4x1.2	Ra>80	67					
YG.150.100.F.27	4x177	2700	4x1.6	Ra>80	67	220-240 50/60	Ø150	Ø137	140-160mm	4000kg
YG.150.100.F.30	4x184	3000	4x1.6	Ra>80	67					
YG.150.100.F.40	4x190	4000	4x1.6	Ra>80	67					
YG.200.100.F.27	4x240	2700	4x2.2	Ra>80	67	220-240 50/60	Ø200	Ø187	140-160mm	4000kg
YG.200.100.F.30	4x280	3000	4x2.2	Ra>80	67					
YG.200.100.F.40	4x330	4000	4x2.2	Ra>80	67					



MILVUS



Code	Lumen (lm)	Kelvin (K)	Watt (W)	Beam angle (β)	CRI	IP	Control	Size (mm)
GFL1051	220	2700	1,7	10°/24°/36°/45°/60°	Ra>85	65	On - Off	Ø42x65x594
GFL1052	220	3000	1,7	10°/24°/36°/45°/60°	Ra>85	65	On - Off	Ø42x65x594
GFL1053	235	4000	1,7	10°/24°/36°/45°/60°	Ra>85	65	On - Off	Ø42x65x594
GFL1054	315	2700	2,5	10°/24°/36°/45°/60°	Ra>85	65	On - Off	Ø42x65x594
GFL1055	315	3000	2,5	10°/24°/36°/45°/60°	Ra>85	65	On - Off	Ø42x65x594
GFL1056	335	4000	2,5	10°/24°/36°/45°/60°	Ra>85	65	On - Off	Ø42x65x594

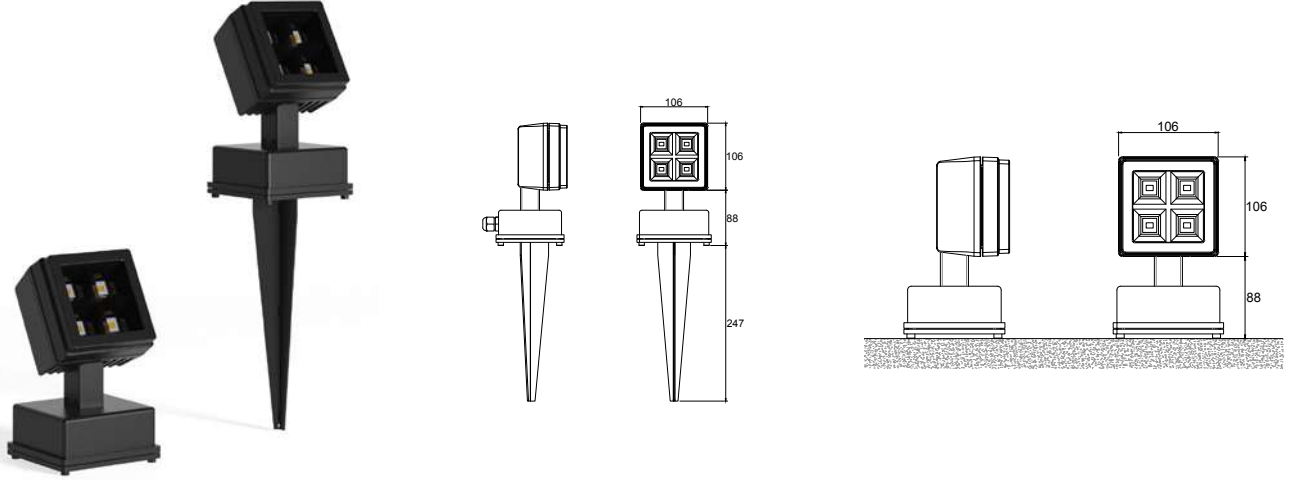
Code	Lumen (lm)	Kelvin (K)	Watt (W)	Beam angle (β)	CRI	IP	Control	Size (mm)
GFL1057	220	2700	1,7	10°/24°/36°/45°/60°	Ra>85	65	On - Off	Ø42x65x138
GFL1058	220	3000	1,7	10°/24°/36°/45°/60°	Ra>85	65	On - Off	Ø42x65x138
GFL1059	235	4000	1,7	10°/24°/36°/45°/60°	Ra>85	65	On - Off	Ø42x65x138
GFL1060	315	2700	2,5	10°/24°/36°/45°/60°	Ra>85	65	On - Off	Ø42x65x138
GFL1061	315	3000	2,5	10°/24°/36°/45°/60°	Ra>85	65	On - Off	Ø42x65x138
GFL1062	335	4000	2,5	10°/24°/36°/45°/60°	Ra>85	65	On - Off	Ø42x65x138

Code	Lumen (lm)	Kelvin (K)	Watt (W)	Beam angle (β)	CRI	IP	Control	Size (mm)
GFL1063	220	2700	1,7	10°/24°/36°/45°/60°	Ra>85	65	On - Off	Ø42x65x138
GFL1064	220	3000	1,7	10°/24°/36°/45°/60°	Ra>85	65	On - Off	Ø42x65x138
GFL1065	235	4000	1,7	10°/24°/36°/45°/60°	Ra>85	65	On - Off	Ø42x65x138
GFL1066	315	2700	2,5	10°/24°/36°/45°/60°	Ra>85	65	On - Off	Ø42x65x138
GFL1067	315	3000	2,5	10°/24°/36°/45°/60°	Ra>85	65	On - Off	Ø42x65x138
GFL1068	335	4000	2,5	10°/24°/36°/45°/60°	Ra>85	65	On - Off	Ø42x65x138

Yapı ve Bahçe Projektörleri

Floodlights For The House and The Garden

RISSA



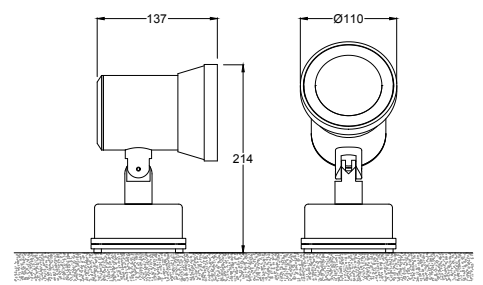
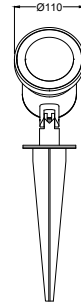
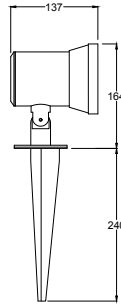
Code	Lumen (lm)	Kelvin (K)	Watt (W)	Beam angle (β)	CRI	IP	Control	Size (mm)
GFL1091	2200	2700	18	10°/24°/36°/45°/60°	Ra>85	65	On - Off	106x106
GFL1092	2200	3000	18	10°/24°/36°/45°/60°	Ra>85	65	On - Off	106x106
GFL1093	2450	4000	18	10°/24°/36°/45°/60°	Ra>85	65	On - Off	106x106
GFL1094	2200	2700	18	10°/24°/36°/45°/60°	Ra>85	65	Dali	106x106
GFL1095	2200	3000	18	10°/24°/36°/45°/60°	Ra>85	65	Dali	106x106
GFL1096	2450	4000	18	10°/24°/36°/45°/60°	Ra>85	65	Dali	106x106

Code	Lumen (lm)	Kelvin (K)	Watt (W)	Beam angle (β)	CRI	IP	Control	Size (mm)
GFL1097	2200	2700	18	10°/24°/36°/45°/60°	Ra>85	65	On - Off	106x106
GFL1098	2200	3000	18	10°/24°/36°/45°/60°	Ra>85	65	On - Off	106x106
GFL1099	2450	4000	18	10°/24°/36°/45°/60°	Ra>85	65	On - Off	106x106
GFL1100	2200	2700	18	10°/24°/36°/45°/60°	Ra>85	65	Dali	106x106
GFL1101	2200	3000	18	10°/24°/36°/45°/60°	Ra>85	65	Dali	106x106
GFL1102	2450	4000	18	10°/24°/36°/45°/60°	Ra>85	65	Dali	106x106

Yapı ve Bahçe Projektörleri

Floodlights For The House and The Garden

STERNA



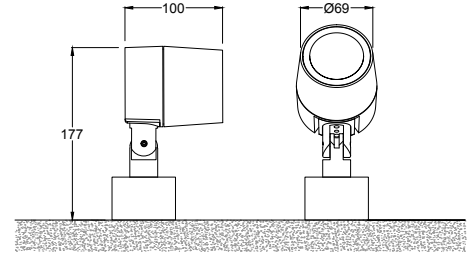
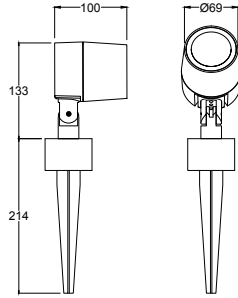
Code	Lumen (lm)	Kelvin (K)	Watt (W)	Beam angle (β)	CRI	IP	Control	Size (mm)
GFL1111	2680	2700	17,2	10°/24°/36°/45°/60°	Ra>85	65	On - Off	Ø110x157
GFL1112	2680	3000	17,2	10°/24°/36°/45°/60°	Ra>85	65	On - Off	Ø110x157
GFL1113	2950	4000	17,2	10°/24°/36°/45°/60°	Ra>85	65	On - Off	Ø110x157

Code	Lumen (lm)	Kelvin (K)	Watt (W)	Beam angle (β)	CRI	IP	Control	Size (mm)
GFL1114	2680	2700	17,2	10°/24°/36°/45°/60°	Ra>85	65	On - Off	Ø110x157
GFL1115	2680	3000	17,2	10°/24°/36°/45°/60°	Ra>85	65	On - Off	Ø110x157
GFL1116	2950	4000	17,2	10°/24°/36°/45°/60°	Ra>85	65	On - Off	Ø110x157
GFL1117	2680	2700	17,2	10°/24°/36°/45°/60°	Ra>85	65	Dali	Ø110x157
GFL1118	2680	3000	17,2	10°/24°/36°/45°/60°	Ra>85	65	Dali	Ø110x157
GFL1119	2950	4000	17,2	10°/24°/36°/45°/60°	Ra>85	65	Dali	Ø110x157

Yapı ve Bahçe Projektörleri

Floodlights For The House and The Garden

URIA



Code	Lumen (lm)	Kelvin (K)	Watt (W)	Beam angle (β)	CRI	IP	Control	Size (mm)
GFL1121	1350	2700	8,4	10°/24°/36°/45°/60°	Ra>85	65	On - Off	Ø69x100
GFL1122	1350	3000	8,4	10°/24°/36°/45°/60°	Ra>85	65	On - Off	Ø69x100
GFL1123	1485	4000	8,4	10°/24°/36°/45°/60°	Ra>85	65	On - Off	Ø69x100

Code	Lumen (lm)	Kelvin (K)	Watt (W)	Beam angle (β)	CRI	IP	Control	Size (mm)
GFL1124	1350	2700	8,4	10°/24°/36°/45°/60°	Ra>85	65	On - Off	Ø69x100
GFL1125	1350	3000	8,4	10°/24°/36°/45°/60°	Ra>85	65	On - Off	Ø69x100
GFL1126	1485	4000	8,4	10°/24°/36°/45°/60°	Ra>85	65	On - Off	Ø69x100
GFL1127	1350	2700	8,4	10°/24°/36°/45°/60°	Ra>85	65	Dali	Ø69x100
GFL1128	1350	3000	8,4	10°/24°/36°/45°/60°	Ra>85	65	Dali	Ø69x100
GFL1129	1485	4000	8,4	10°/24°/36°/45°/60°	Ra>85	65	Dali	Ø69x100





Yurtiçi

Referanslarımızdan Bazıları



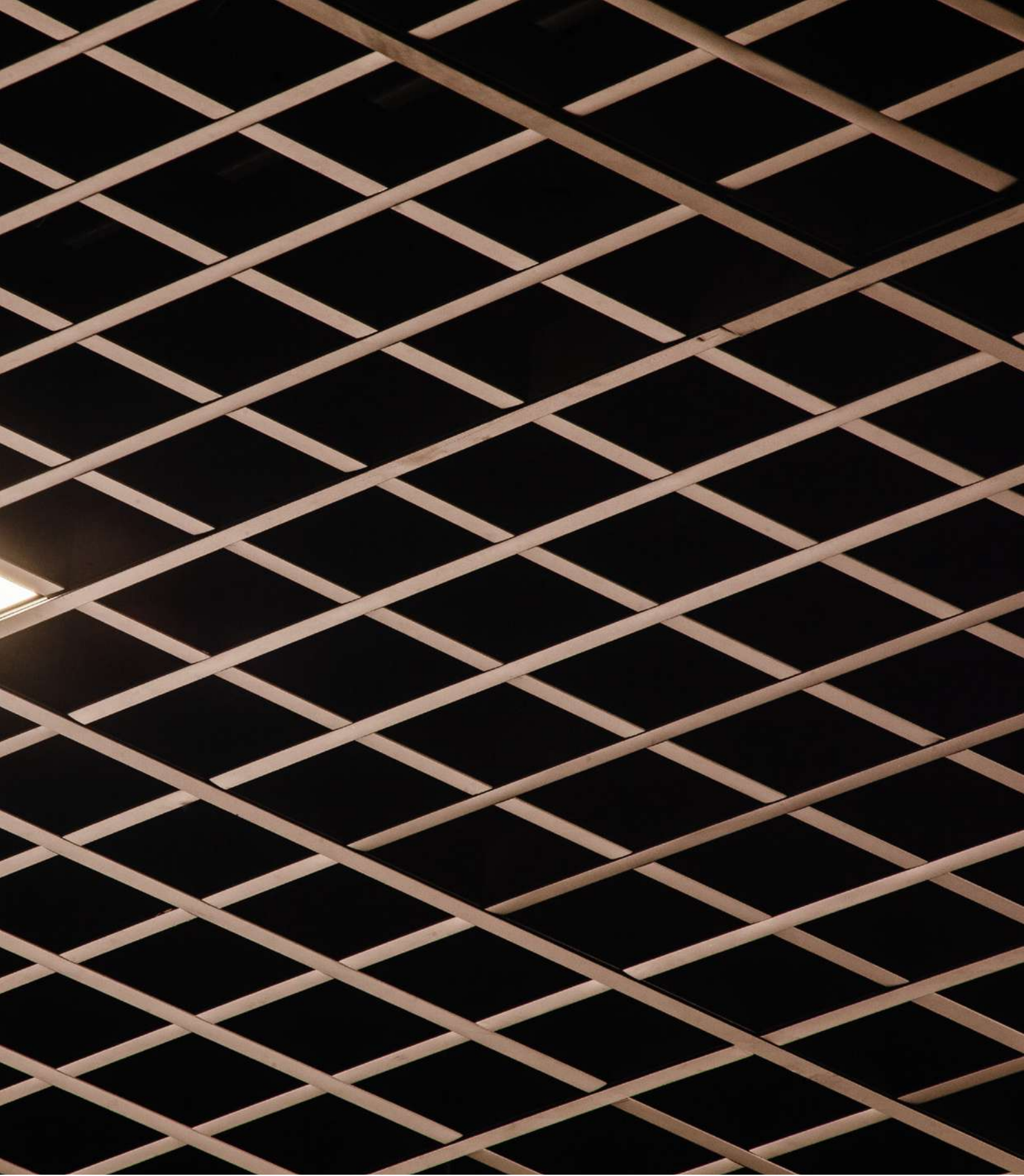
Yurtiçi
Referanslarımızdan Bazıları





novalux®
LIGHTING

Novatron®



Defterdar Mah. Otakçılar Cad. Has-On İş Merkezi
No: 70/A 34050 Eyüp / İstanbul - TÜRKİYE



+90 212 613 36 86



info@novalux.com.tr



novalux.com.tr

novalux®
LIGHTING

Novatron®